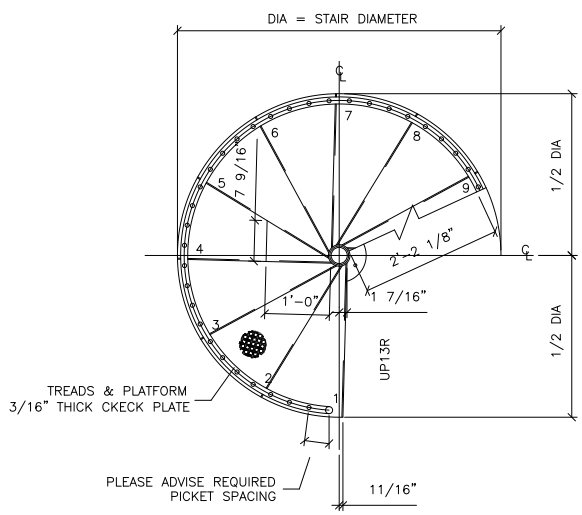
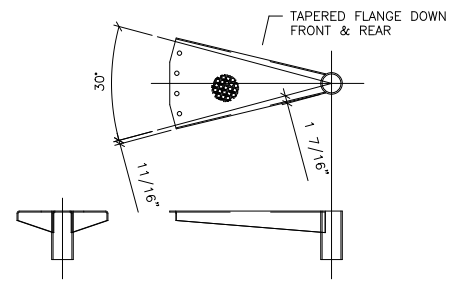


TYPICAL PLAN AT UPPER LEVEL

PLATFORMS FABRICATED TO SQUARE, ROUND, OR SPECIAL SHAPES.



TYPICAL PLAN AT LOWER LEVEL

THIS DRAWING IS OUR INTERPRETATION OF WHAT IS NECESSARY TO MEET YOUR SPECIFICATIONS AND CONDITIONS ON THIS JOB. YOUR APPROVAL INDICATES THAT YOU HAVE FOUND THIS DRAWING TO BE ACCEPTABLE AND ANY FIELD REWORK NECESSARY TO MEET CONDITIONS DIFFERENT FROM THOSE SHOWN WILL NOT BE THE RESPONSIBILITY OF DUVINAGE. CUSTOMER IS RESPONSIBLE FOR COMPLIANCE WITH ANY APPLICABLE LOCAL CODES.

DUVINAGE CORPORATION
P.O. BOX 828-60 WEST DAK RIDGE DR. HAGERSTOWN, MD 21740

CUSTOMER:

PROJECT:

REVISIONS	DESIGN:	SCALE:
	175	3/4"=1'-0"
	DIAMETER: 5'-0"	CUSTOMER NO. -
	DEGREE: 30°	SHEET 1 OF 1
	HAND: L.H	DRAWING NO.
	DRAWN BY: PAR 8/21/02	W-0003
	CHECKED BY: -	