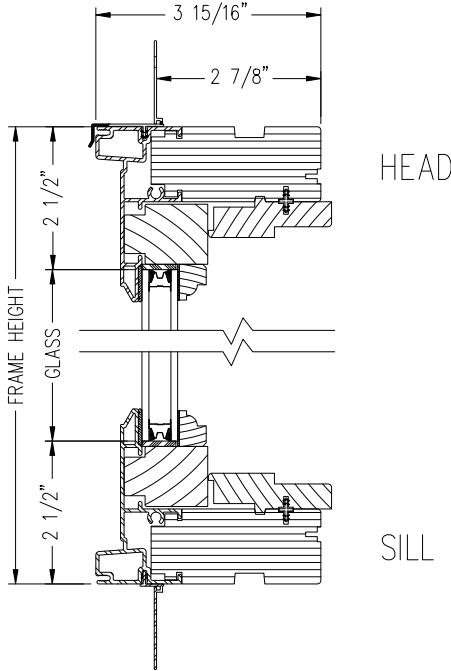
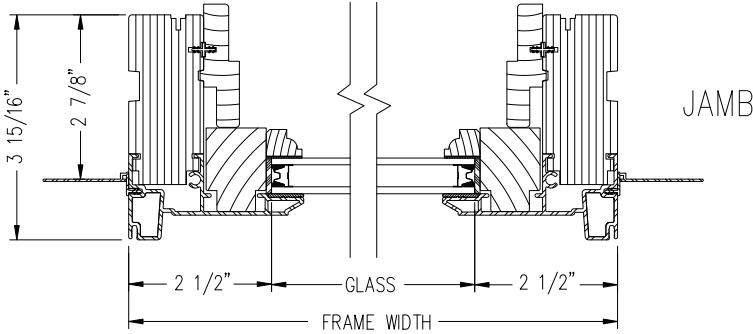


1 PIECE FIXED CASEMENT



VERTICAL SECTION

1 PIECE FIXED CSMT



HORIZONTAL SECTION