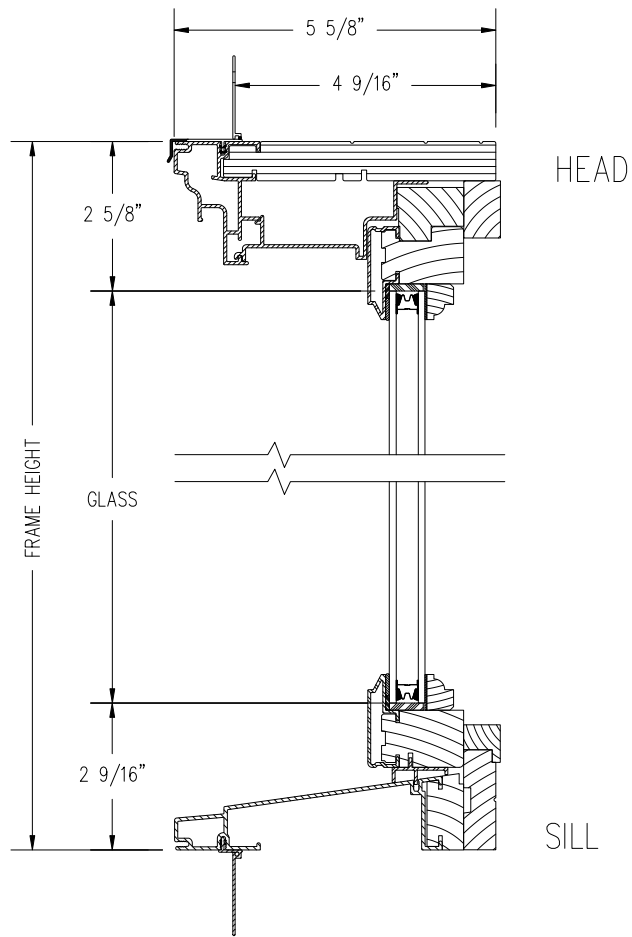
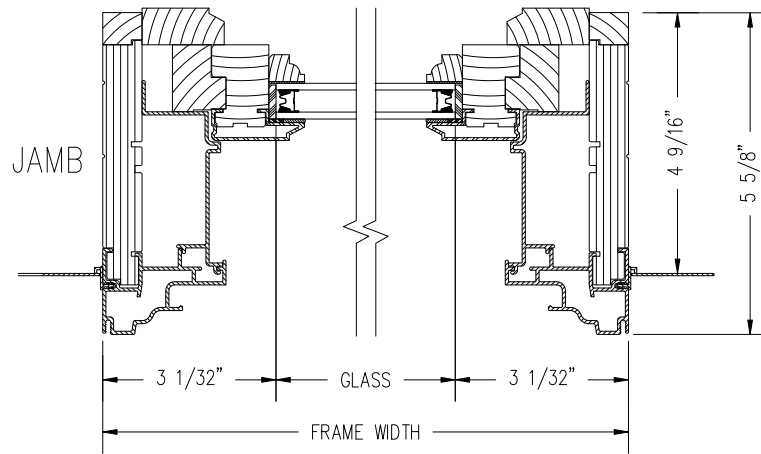


DOUBLE-HUNG TRANSOM



VERTICAL SECTION



HORIZONTAL SECTION