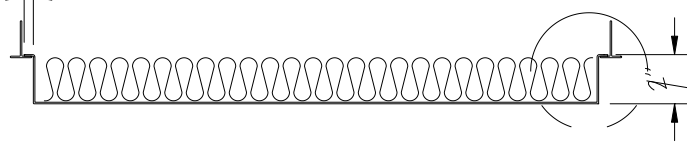
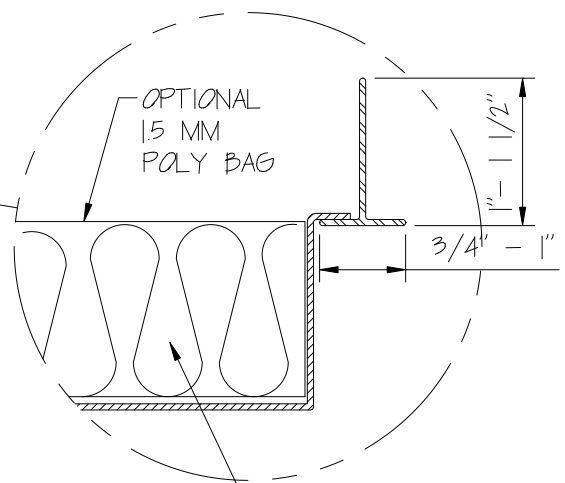


3/8"

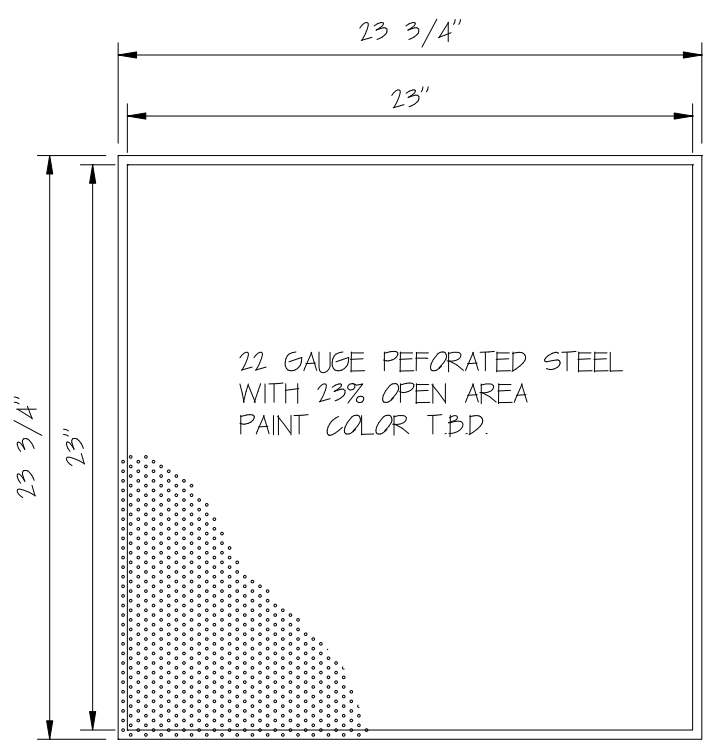


CROSS SECTION



OPTIONAL
15 MM
POLY BAG

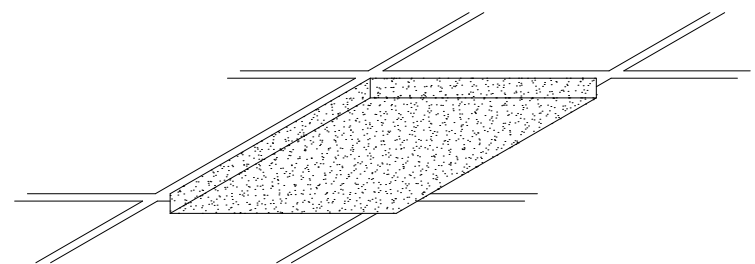
ACOUSTICAL FILL
1 1/2 LBS. / CU. FT.



22 GAUGE PERFORATED STEEL
WITH 23% OPEN AREA
PAINT COLOR T.B.D.

ELEVATION

ACOUSTICAL LAY-IN PANEL (ALP)



ISOMETRIC VIEW
NOT TO SCALE

NOTE:

- 1) 33% TO 50% UPGRADE OF CEILING COVERAGE RECOMMENDED

ECKEL

Noise Control Technologies
ECKEL INDUSTRIES INC. ACOUSTIC DIVISION
155 Fawcett Street Cambridge, Massachusetts 02138 (617) 491-3221

KIMBERLY CLARK CORPORATION

ACOUSTIC ENCLOSURE

GENERAL ARRANGEMENT

PROPRIETARY

THIS DOCUMENT CONTAINS PROPRIETARY INFORMATION AND IS SUBMITTED SUBJECT TO THE EXPRESS CONDITION THAT THE INFORMATION CONTAINED HEREIN SHALL BE USED IN NO WAY TO THE DETRIMENT OF THE INTERESTS OF ECKEL INDUSTRIES, INC.

PLOT SCALE 1/2" = 12"	CAD SMT	PROJECT ENG GWG	CT. NO.
FILE NAME	DATE	PLOT DATE	SHT NO DI