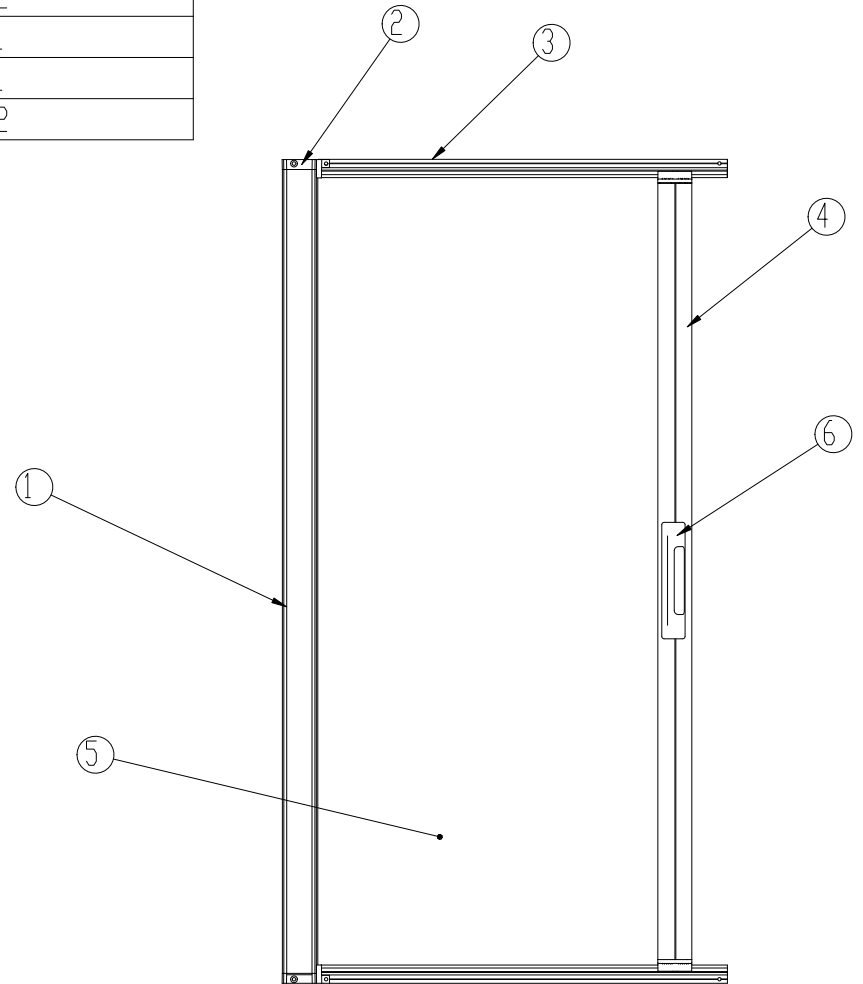
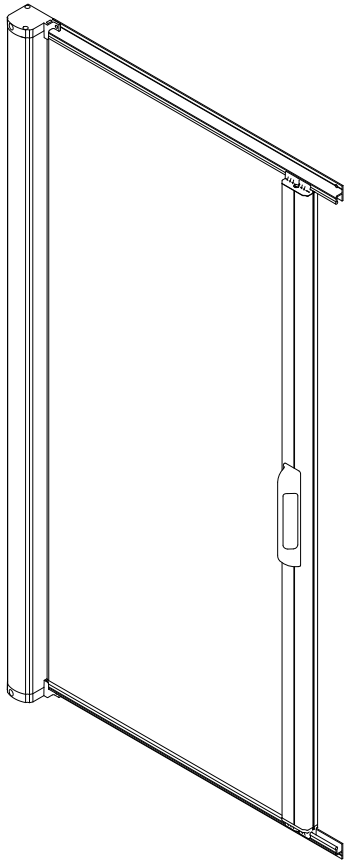


ITEM NO.	Description	QTY.
1	Aluminum Housing 1 13/16" W x 1 27/32" D	1
2	End Caps	2
3	Aluminum Rail 7/8" H x 1/2" W	2
4	Aluminum Pull Bar 1 3/4" W x 7/8" D	1
5	PVC Coated Fiberglass Mesh 18 x 14 Thread / Inch x 0.13	1
6	Nylon - U.V Protected Handle 6" x 1 1/4" W 25/32" D	2



REV	ECN #	DATE	REVISION DESCRIPTION	BY	CHK
2008 ECLIPSE TECHNOLOGIES INC. ALL RIGHTS RESERVED					

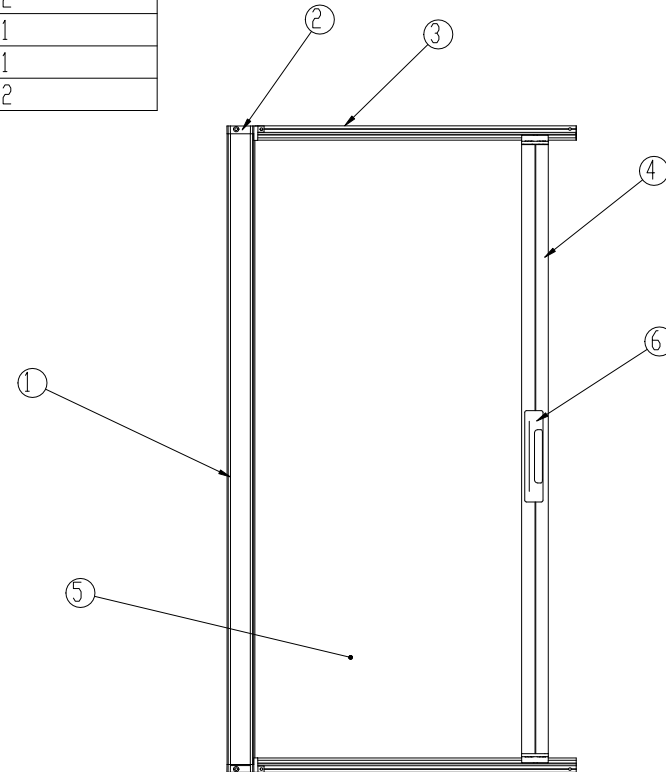
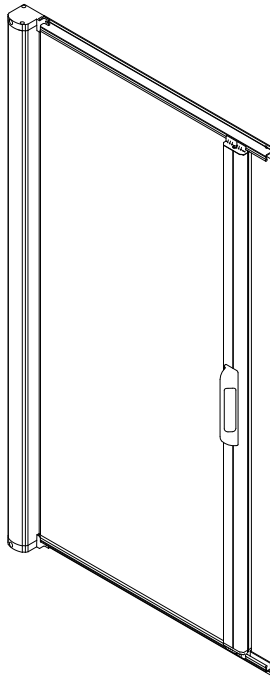
ECLIPSE TECHNOLOGIES INC.
CONFIDENTIAL AND PROPRIETARY

THIS DOCUMENT CONTAINS ECLIPSE TECHNOLOGIES CONFIDENTIAL INFORMATION, AND IS GIVEN TO THE RECEIVER IN CONFIDENCE. THE RECEIVER AGREES THAT, EXCEPT WITH ECLIPSE TECHNOLOGIES' PRIOR WRITTEN PERMISSION, IT WILL NOT BE USED OR DISCLOSED TO OTHERS IN ANY MANNER OR FOR ANY PURPOSE, OR REPRODUCED IN ANY MANNER, OR BY ANY MEANS, WITHOUT THE WRITTEN PERMISSION OF ECLIPSE TECHNOLOGIES. RETURN THE DOCUMENT, ALL COPIES AND ALL RELATED MATERIAL.

DO NOT SCALE DRAWING
DIMENSIONS ARE IN MILLIMETERS
REMOVE ALL BURRS AND SHARP EDGES
TOLERANCES: UNLESS OTHERWISE NOTED
ONE DECIMAL ± .1 FRACTIONAL ±
TWO DECIMAL ± THREE DECIMAL ± ANGULAR ±

DRAWING TITLE				
Aira Assembly				
DRAWN BY SS	APPROVED BY SS	DATE 16 /03 /09	DRAWING NUMBER ET-090	REVISION A

ITEM NO.	Description	QTY.
1	Aluminum Housing 1 13/16" W x 1 27/32" D	1
2	End Caps	2
3	Aluminum Rail 7/8" H x 1/2" W	2
4	Aluminum Pull Bar 1 3/4" W x 7/8" D	1
5	PVC Coated Fiberglass Mesh 18 x 14 Thread / Inch x 0.13	1
6	Nylon - U.V Protected Handle 6" x 1 1/4" W 25/32" D	2



ECLIPSE TECHNOLOGIES INC. CONFIDENTIAL AND PROPRIETARY				DO NOT SCALE DRAWING DIMENSIONS ARE IN MILLIMETERS REMOVE ALL BURRS AND SHARP EDGES TOLERANCES: UNLESS OTHERWISE NOTED		DRAWING TITLE Aira Assembly							
REV.	EDN. #	DATE	REVISION DESCRIPTION	BY	CHK	ONE DECIMAL ±	.1	FRACTIONAL ±	DRAWN BY	APPROVED BY	DATE	DRAWING NUMBER	REVISION
						TWO DECIMAL ±			SS	SS	16 /03 /09	ET-090	A
2008 ECLIPSE TECHNOLOGIES INC. ALL RIGHTS RESERVED						THIS DOCUMENT CONTAINS ECLIPSE TECHNOLOGIES CONFIDENTIAL INFORMATION AND IS GIVEN TO THE RECEIVER IN CONFIDENCE. THE RECEIVER AGREES THAT, EXCEPT WITH ECLIPSE TECHNOLOGIES' PRIOR WRITTEN PERMISSION, IT SHALL: a) NOT BE USED OR DISCLOSED TO OTHERS THE DOCUMENT OR ANY COPY OR THE INFORMATION THIS CONTAIN. b) NOT COPY OR REPRODUCE THE DOCUMENT IN WHOLE OR PART c) UPON COMPLETION OF THE NEED TO RETURN THE DOCUMENT OR UPON DEMAND, RETURN THE DOCUMENT, ALL COPIES AND ALL RELATED MATERIAL.							