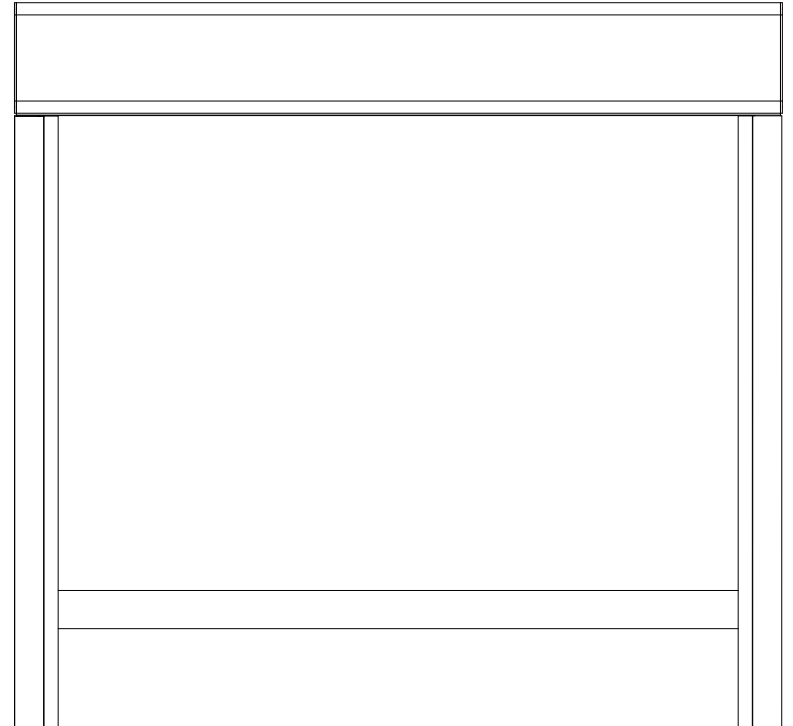
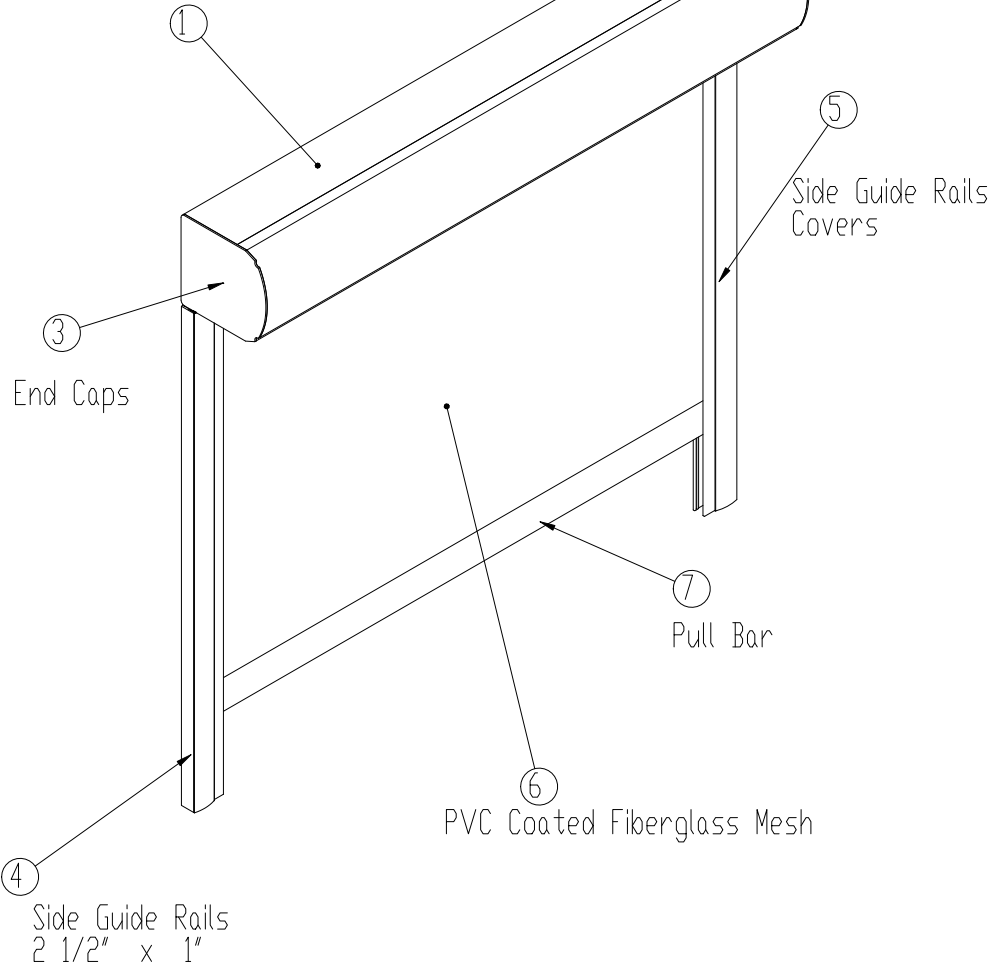


Front Cover Housing 5.4" W x 5.8" H

Back Plate 5.2" W x 5.8" H



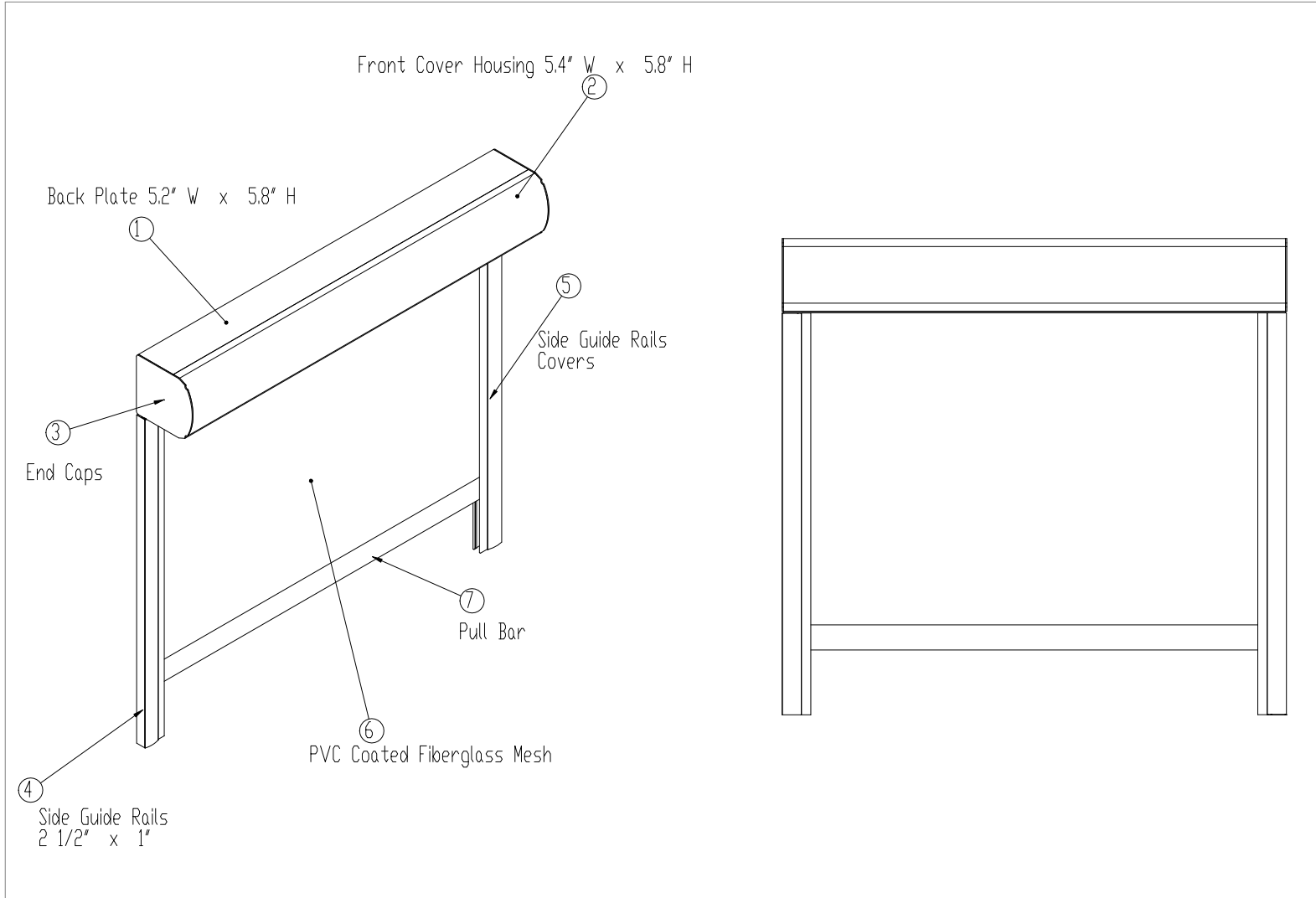
REV	ECN #	DATE	REVISION DESCRIPTION	BY	CHK
Q			2008 ECLIPSE TECHNOLOGIES INC. ALL RIGHTS RESERVED		

ECLIPSE TECHNOLOGIES INC.
 CONFIDENTIAL AND PROPRIETARY

THIS DOCUMENT CONTAINS ECLIPSE TECHNOLOGIES CONFIDENTIAL INFORMATION AND IS GIVEN TO THE RECEIVER IN CONFIDENCE. THE RECEIVER AGREES THAT, EXCEPT WITH ECLIPSE TECHNOLOGIES' PRIOR WRITTEN PERMISSION, IT WILL NOT USE OR DISCLOSE TO OTHERS THE DOCUMENT OR ANY COPY OR THE INFORMATION THEY CONTAIN.
 2) NOT COPY OR REPRODUCE THE DOCUMENT IN WHOLE OR PART.
 3) UPON COMPLETION OF THE NEED TO RETAIN THE DOCUMENT, OR UPON DEMAND, RETURN THE DOCUMENT, ALL COPIES AND ALL RELATED MATERIAL.

DO NOT SCALE DRAWING
 DIMENSIONS ARE IN MILLIMETERS
 REMOVE ALL BURRS AND SHARP EDGES
 TOLERANCES: UNLESS OTHERWISE NOTED
 ONE DECIMAL ± .1 FRACTIONAL ±
 TWO DECIMAL ± .01
 THREE DECIMAL ± .001 ANGULAR ±

DRAWING TITLE				
Sola Design Specification				
DRAWN BY	APPROVED BY	DATE	DRAWING NUMBER	REVISION
SS	SS	16 /03 /09	ET-120	A



				ECLIPSE TECHNOLOGIES INC. CONFIDENTIAL AND PROPRIETARY		DO NOT SCALE DRAWING DIMENSIONS ARE IN MILLIMETERS REMOVE ALL BURRS AND SHARP EDGES TOLERANCES: UNLESS OTHERWISE NOTED		DRAWING TITLE Sola Design Specification		
THIS DOCUMENT CONTAINS ECLIPSE TECHNOLOGIES CONFIDENTIAL INFORMATION AND IS GIVEN TO THE RECEIVER IN CONFIDENCE. THE RECEIVER AGREES THAT, EXCEPT WITH ECLIPSE TECHNOLOGIES' PRIOR WRITTEN PERMISSION, IT SHALL: a) NOT BE USED OR DISCLOSED TO OTHERS THE DOCUMENT OR ANY COPY OR THE INFORMATION THIS CONTAINS. b) NOT BE COPIED OR REPRODUCED THE DOCUMENT IN WHOLE OR PART. c) UPON COMPLETION OF THE NEED TO RETURN THE DOCUMENT OR UPON DEMAND, RETURN THE DOCUMENT, ALL COPIES AND ALL RELATED MATERIAL.				ONE DECIMAL ± .1 FRACTIONAL ± TWO DECIMAL ± . TWO DECIMAL ± THREE DECIMAL ± . ANGULAR ±		DRAWN BY: SS APPROVED BY: SS DATE: 16 /03 /09 DRAWING NUMBER: ET-120 REVISION: A				
REV	EON #	DATE	REVISION DESCRIPTION	BY	CHK					
0			2008 ECLIPSE TECHNOLOGIES INC. ALL RIGHTS RESERVED							