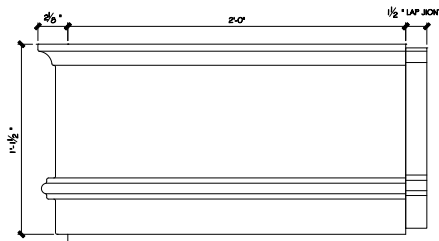
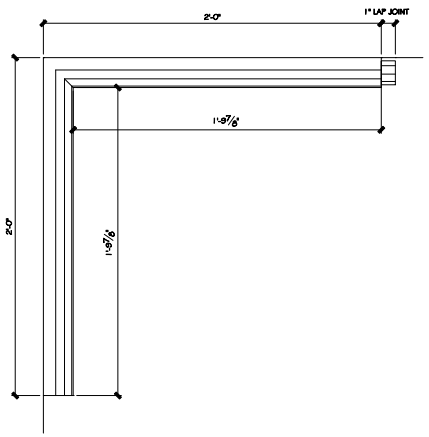


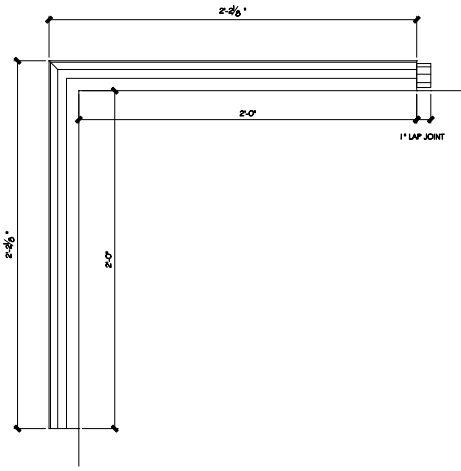
4  
2 ELEV. OF CR-125 INSIDE CNR.  
SCALE: 3" = 1'-0"



2  
2 ELEV. OF CR-125 OUTSIDE CNR.  
SCALE: 3" = 1'-0"



5  
2 REFLECTED PLAN OF CR-125 INSIDE CNR.  
SCALE: 3" = 1'-0"



3  
4 REFLECTED PLAN OF CR-125 OUTSIDE CNR.  
SCALE: 3" = 1'-0"