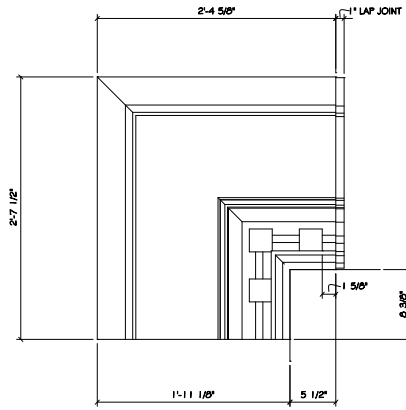
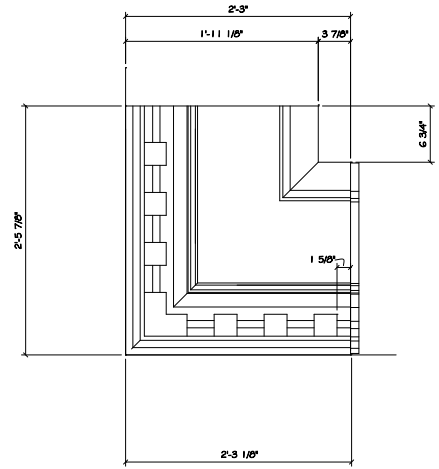


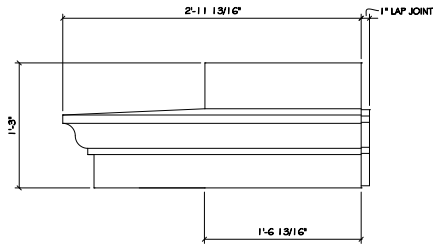
**A**  
**1** SECTION THRU CR-225  
SCALE: 3" = 1'-0"



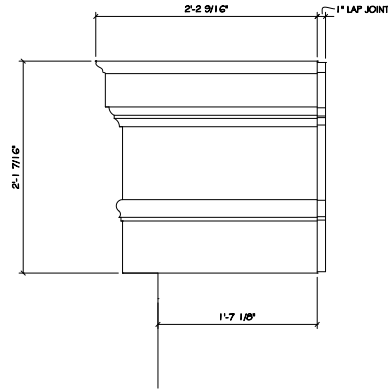
**2**  
**1** PLAN OF 90° OUT CORNER  
SCALE: 1 1/2" = 1'-0"



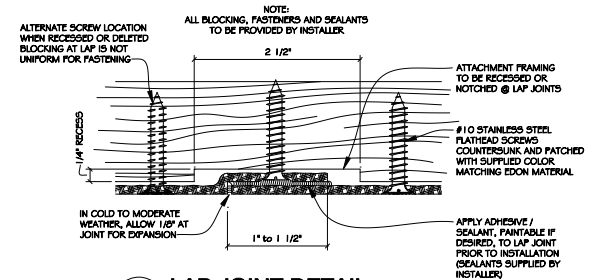
**3**  
**1** PLAN OF 90° IN CORNER  
SCALE: 1 1/2" = 1'-0"



**1**  
**1** ELEV. OF OUTSIDE CORNER UPPER  
SCALE: 1 1/2" = 1'-0"



**1**  
**1** ELEV. OF OUTSIDE CORNER BOTTOM  
SCALE: 1 1/2" = 1'-0"



**B**  
**1** LAP JOINT DETAIL  
FULL SCALE