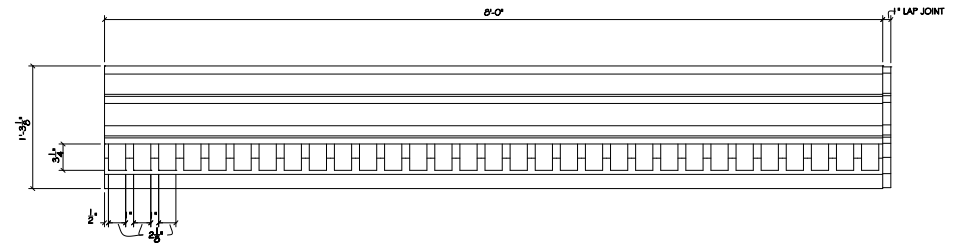
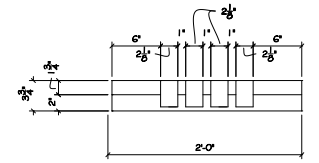


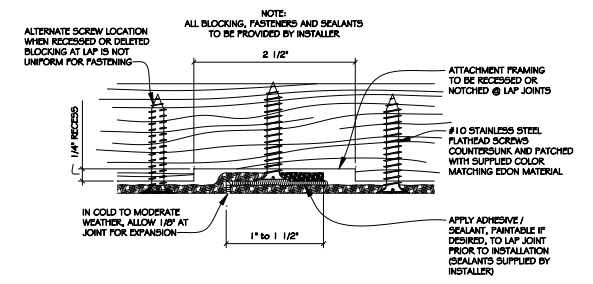
A SECTION THRU CR-280
2 SCALE: 3" = 1'-0"



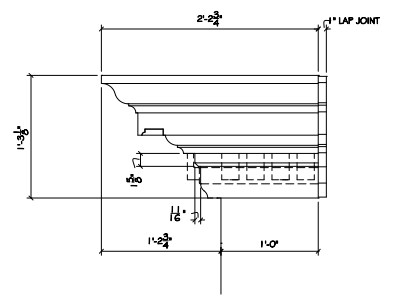
1 ELEVATION OF CORNICE CR-280
2 SCALE: 1 1/2" = 1'-0"



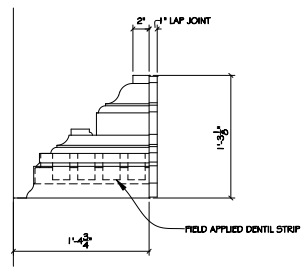
4 DETAIL OF DENTIL STRIP
2 SCALE: 1 1/2" = 1'-0"



B LAP JOINT DETAIL
2 FULL SCALE



2 ELEV. OF OUT. CORNER
2 SCALE: 1 1/2" = 1'-0"
 OTHER LEG EQUAL



3 ELEV. OF IN. CORNER
2 SCALE: 1 1/2" = 1'-0"