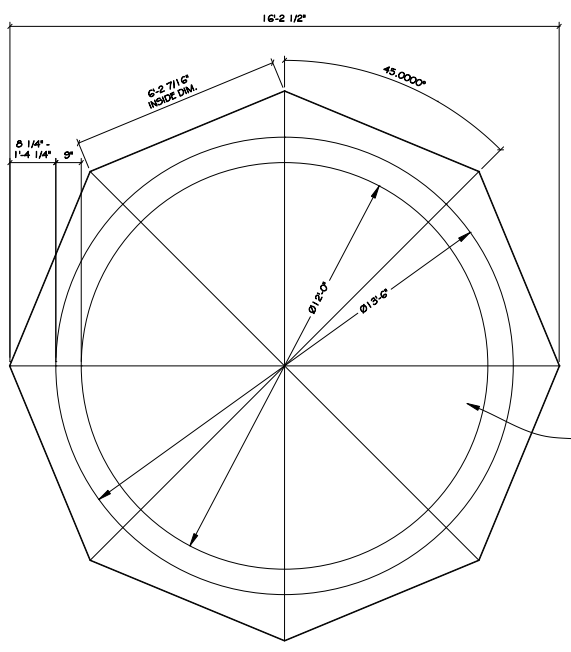
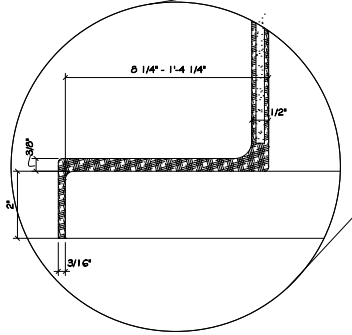
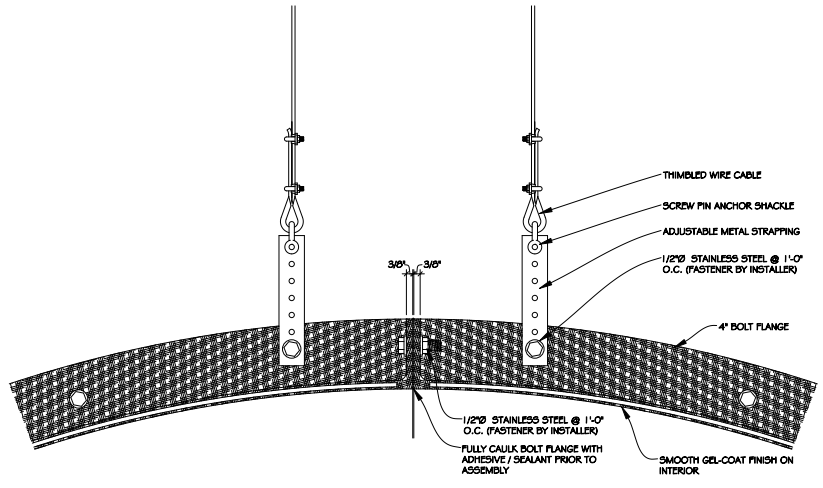


1 SECTION / ELEV. OF DOME
SCALE: 1/2" = 1'-0"



2 REFLECTED PLAN OF DOME
SCALE: 1/2" = 1'-0"



A BOLT FLANGE DETAIL
SCALE: 3" = 1'-0"