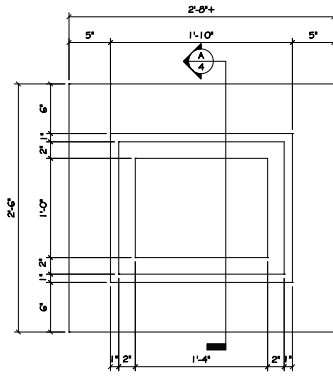
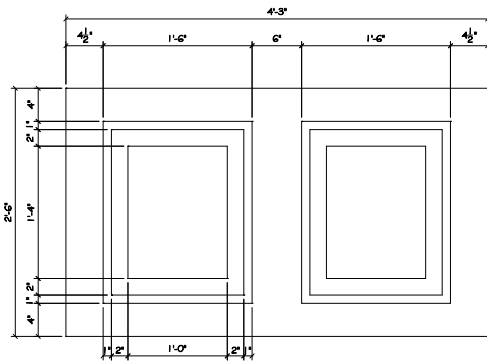


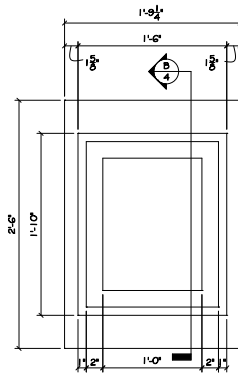
1  
4 ELEV. OF CUSTOM PANEL FACADE "B"  
SCALE: 1/2" = 1'-0"



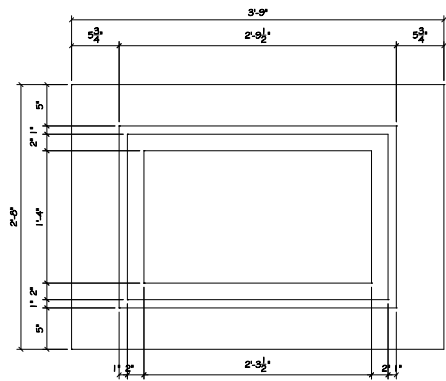
2  
4 ELEV. OF CUSTOM PANEL FACADE "B"  
SCALE: 1/2" = 1'-0"



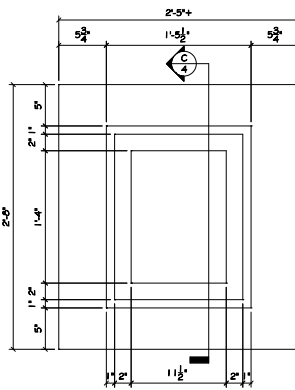
3  
4 ELEV. OF CUSTOM PANEL FACADE "D"  
SCALE: 1/2" = 1'-0"



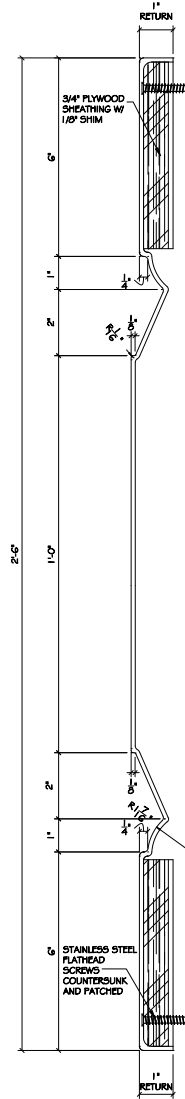
4  
4 ELEV. OF CUSTOM PANEL FACADE "D"  
SCALE: 1/2" = 1'-0"



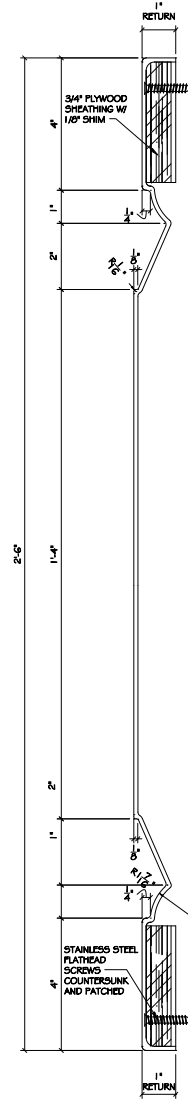
5  
4 ELEV. OF CUSTOM PANEL FACADE "E"  
SCALE: 1/2" = 1'-0"



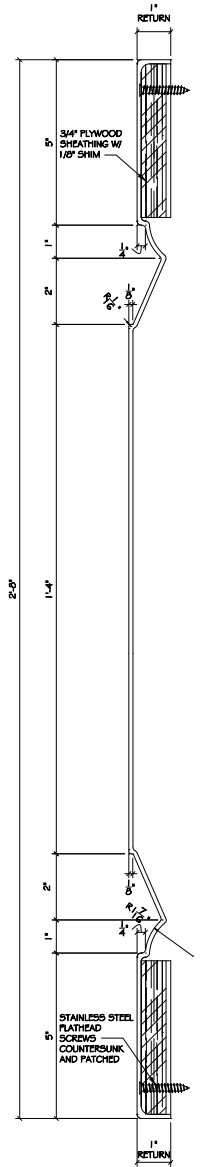
6  
4 ELEV. OF CUSTOM PANEL FACADE "E"  
SCALE: 1/2" = 1'-0"



A  
4 SECTION THRU FACIA PANEL  
SCALE: 6" = 1'-0"



B  
4 SECTION THRU FACIA PANEL  
SCALE: 6" = 1'-0"



C  
4 SECTION THRU FACIA PANEL  
SCALE: 6" = 1'-0"