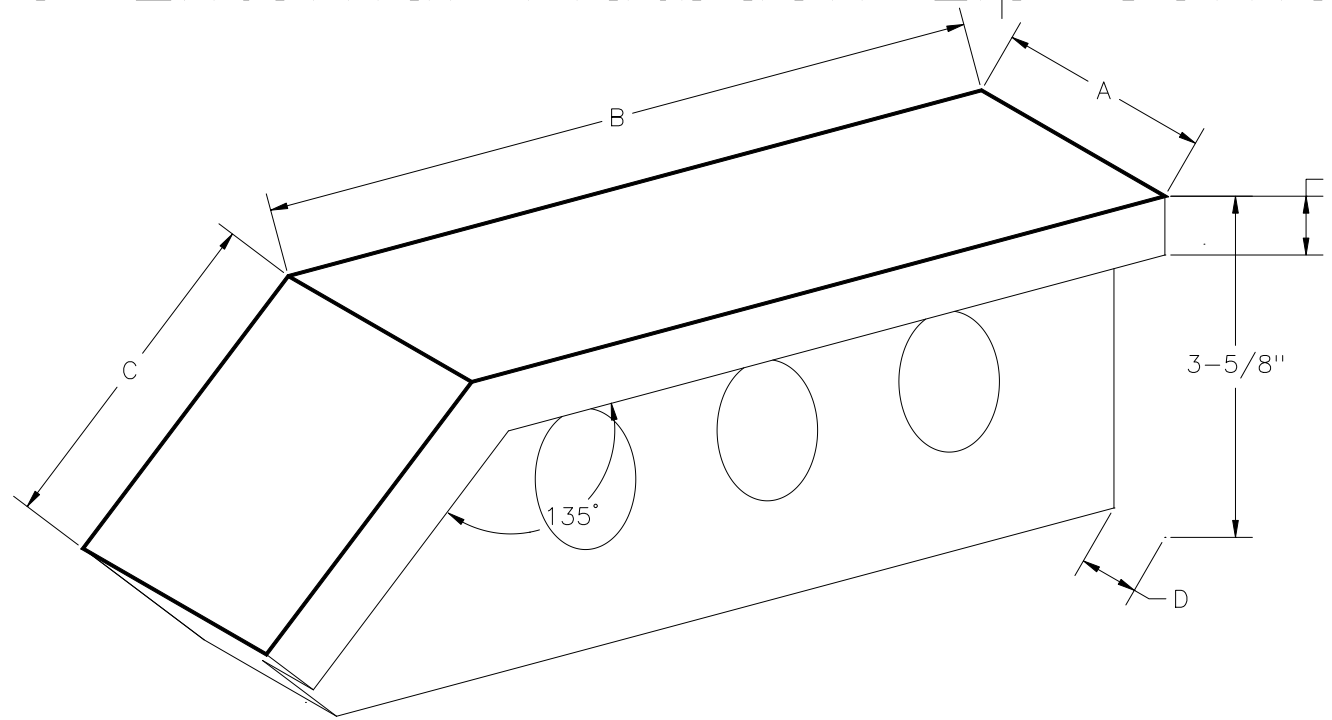


# 135° External Flatback Lip Corner



## Dimensions Available

A – 2-1/4", 2-5/8", 2-13/16", 3-5/8", 7-5/8"

B – 5-5/8", 6-5/8", 7-5/8"

C – 1-5/8", 2-5/8", 3-5/8"

D – Customer's choice (if not specified, will be made at 5/8")

E – Customer's choice (if not specified, will be made at 5/8")