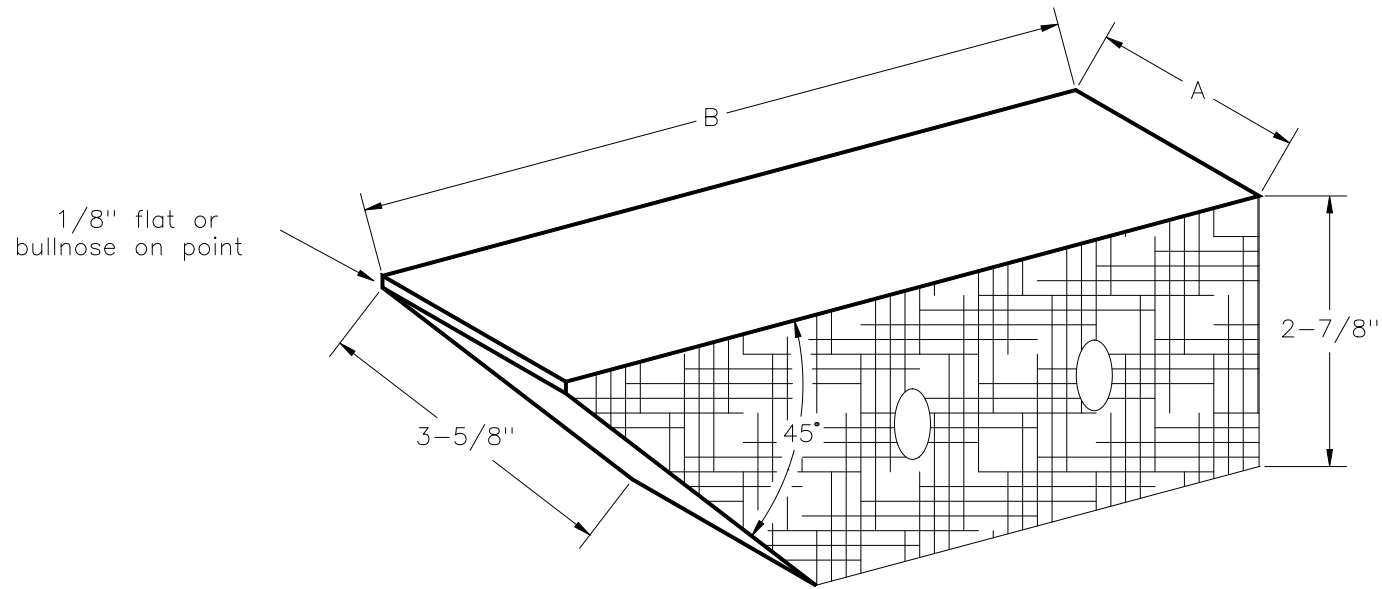


45° External Corner



Dimensions Available

A - 2-1/4", 2-13/16", 3-5/8", 7-5/8"
B - 7-5/8", 9-5/8", 11-5/8"