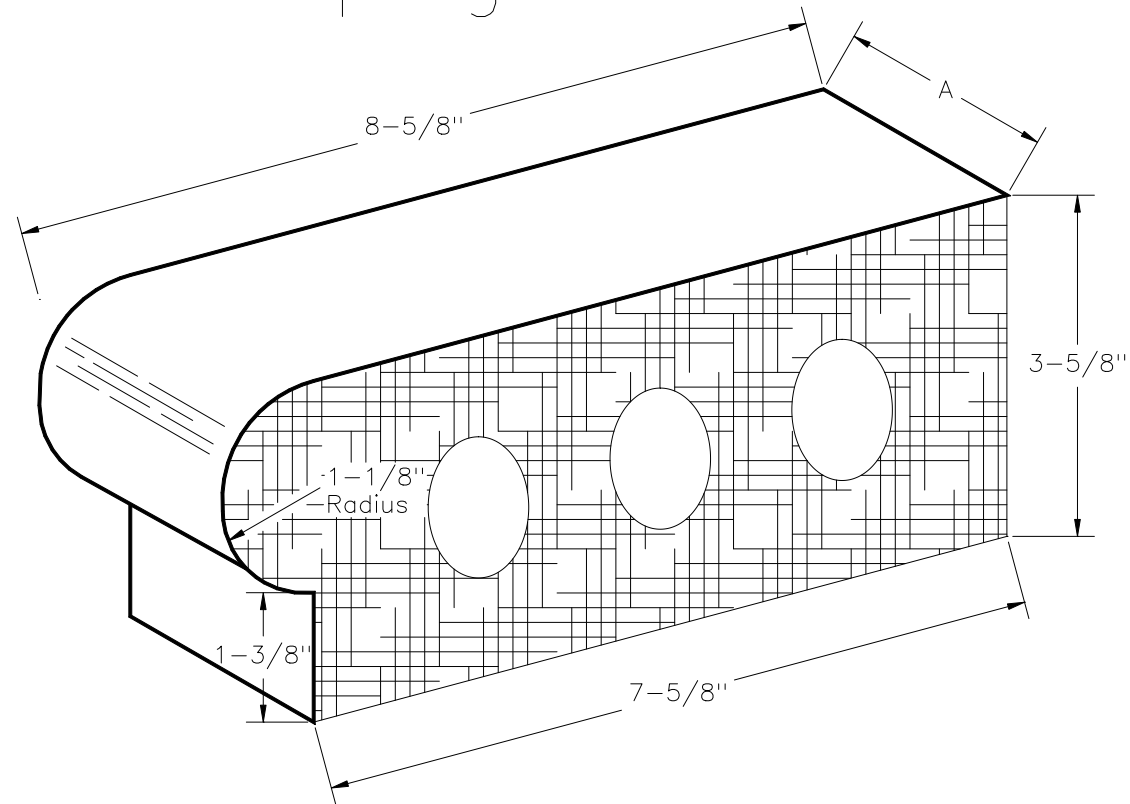


# Coping Header



Dimensions Available

A -  $2\frac{1}{4}$ ",  $2\frac{13}{16}$ ",  $3\frac{5}{8}$ ",  $7\frac{5}{8}$ "