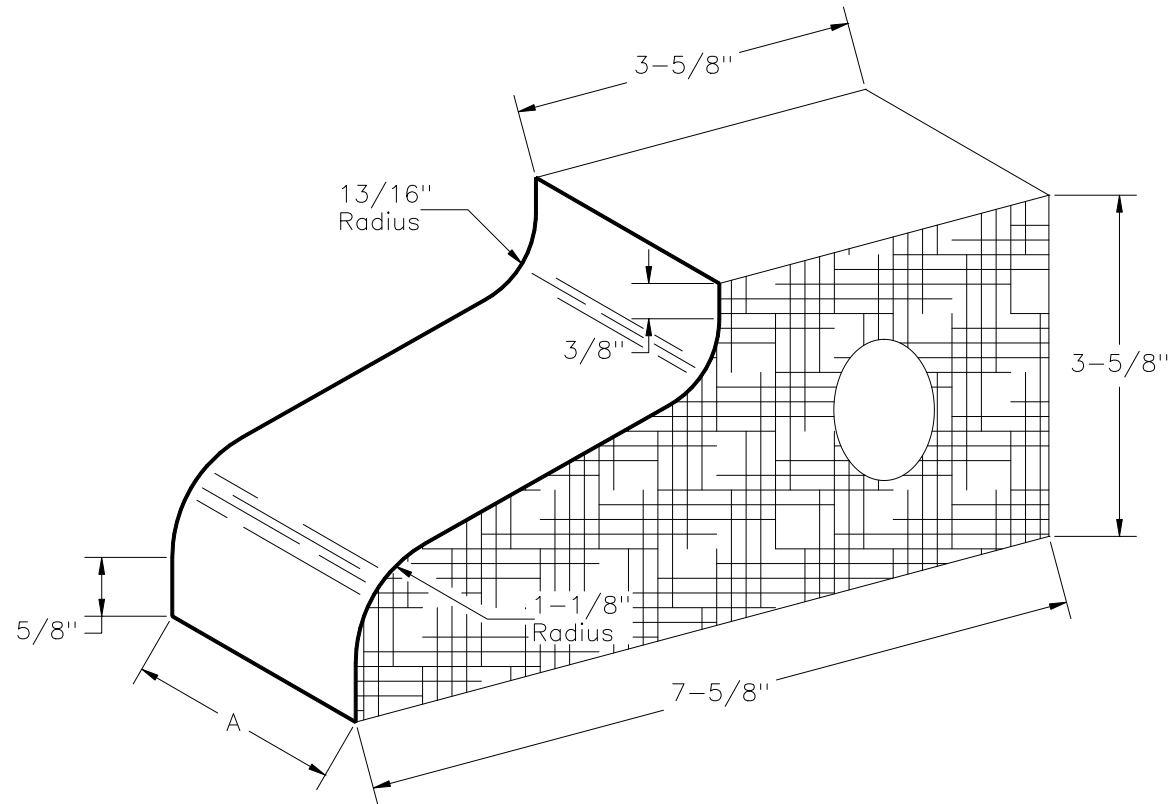


Watertable Header



Dimensions Available

A - $2-1/4''$, $2-13/16''$, $3-5/8''$, $7-5/8''$