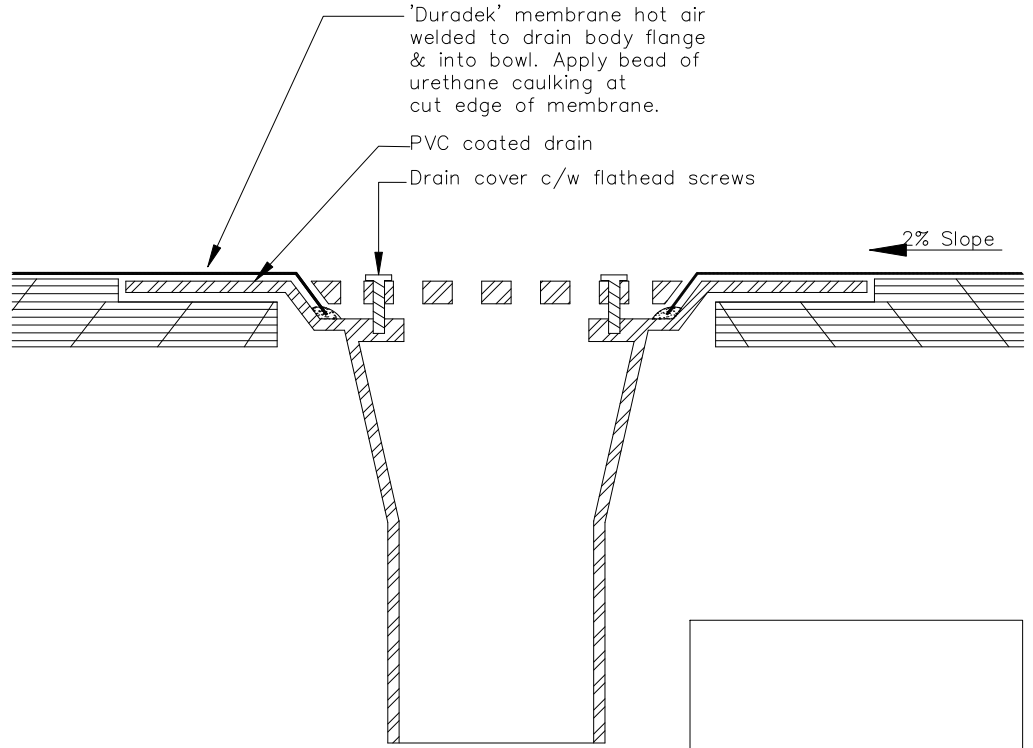


DRAIN DETAIL- PVC COATED DECK DRAIN



KEY DIMENSIONS:
 Flange Diameter: 8.19"
 Body Height: 6.84"
 Pipe Size: 2.4" O/S, 2.34" I/S

NOTE:

AS A SUPPLIER OF FINISHED PRODUCT ONLY, DURADEK LTD. DOES NOT ASSUME RESPONSIBILITY FOR ERRORS IN DESIGN, ENGINEERING, OR DIMENSIONS. THE ARCHITECT, ENGINEER, SPECIFIER, CONTRACTOR OR OWNERS' REPRESENTATIVE MUST VERIFY ALL DIMENSIONS, SIZES & SUITABILITY OF DETAILS.

DURADEK LTD.

CANADA
 UNITED STATES

Bus: (604) 591-5594
 Bus: (816) 421-5830

Fax: (604) 591-3100
 Fax: (816) 421-2924

SYSTEM:
 ALL ASSEMBLIES

DATE: 31/08/04
 REV. DATE:

DRAWING No.:
 DR-02

