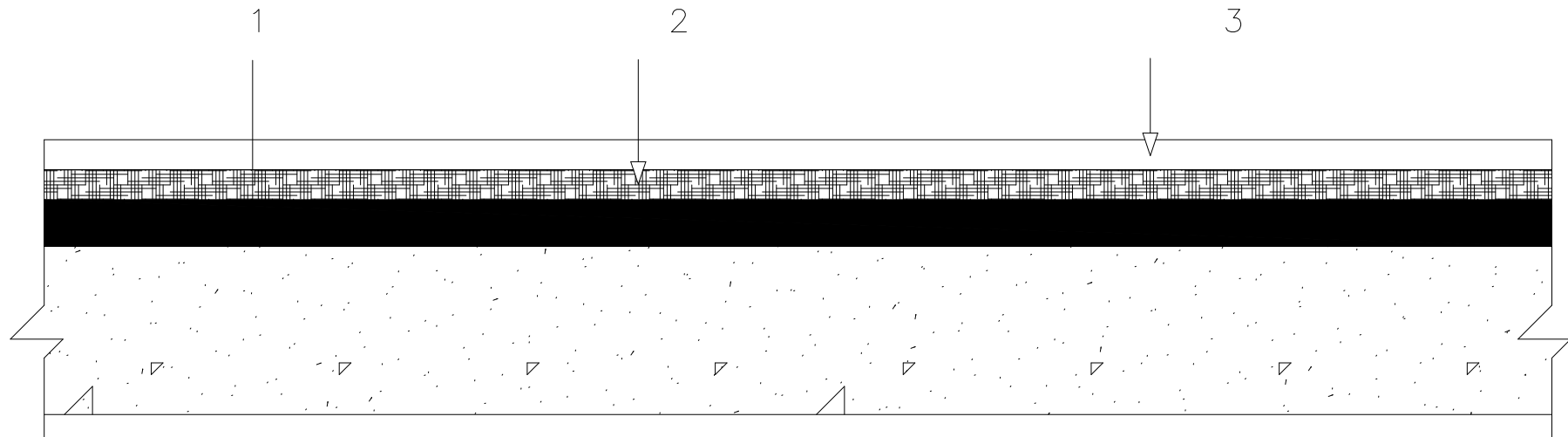


1. Ecoline-S or Ecoline-R (60 Mil)
2. Ecoshield-P (Fabric Side Up)
3. Finish Course as Specified



CONCRETE DECKS
FOR
BONDED FINISH

0-1