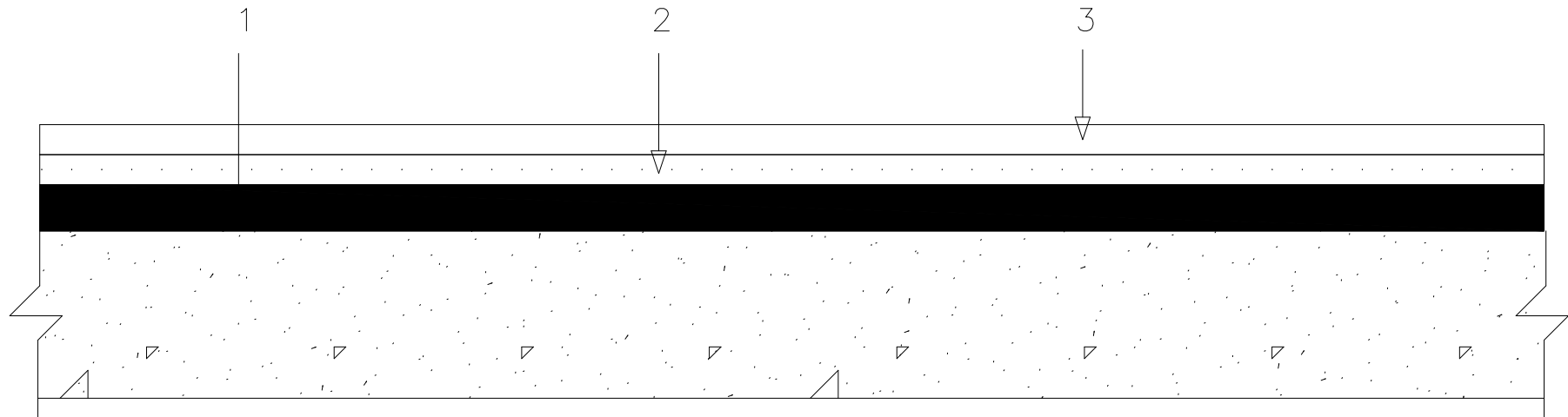


1. Ecoline-S or Ecoline-R (60 Mil)
2. Ecoshield-E
3. Finish Course as Specified



CONCRETE DECKS
FOR
UNBONDED FINISH

P-1