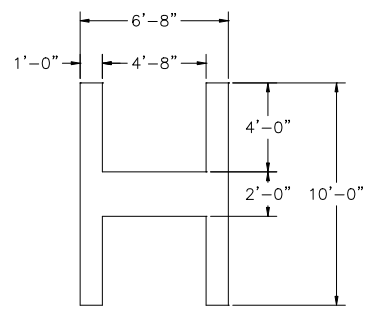
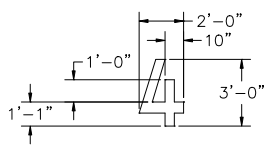
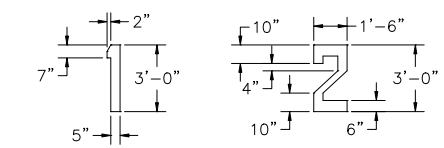
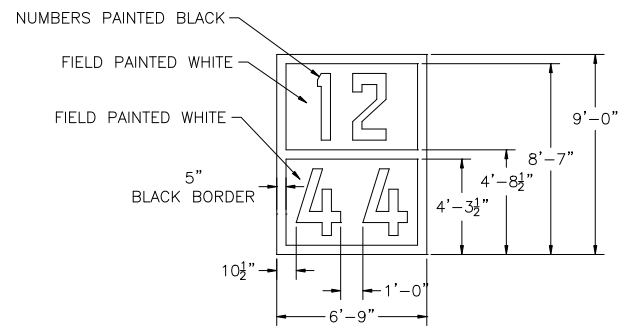
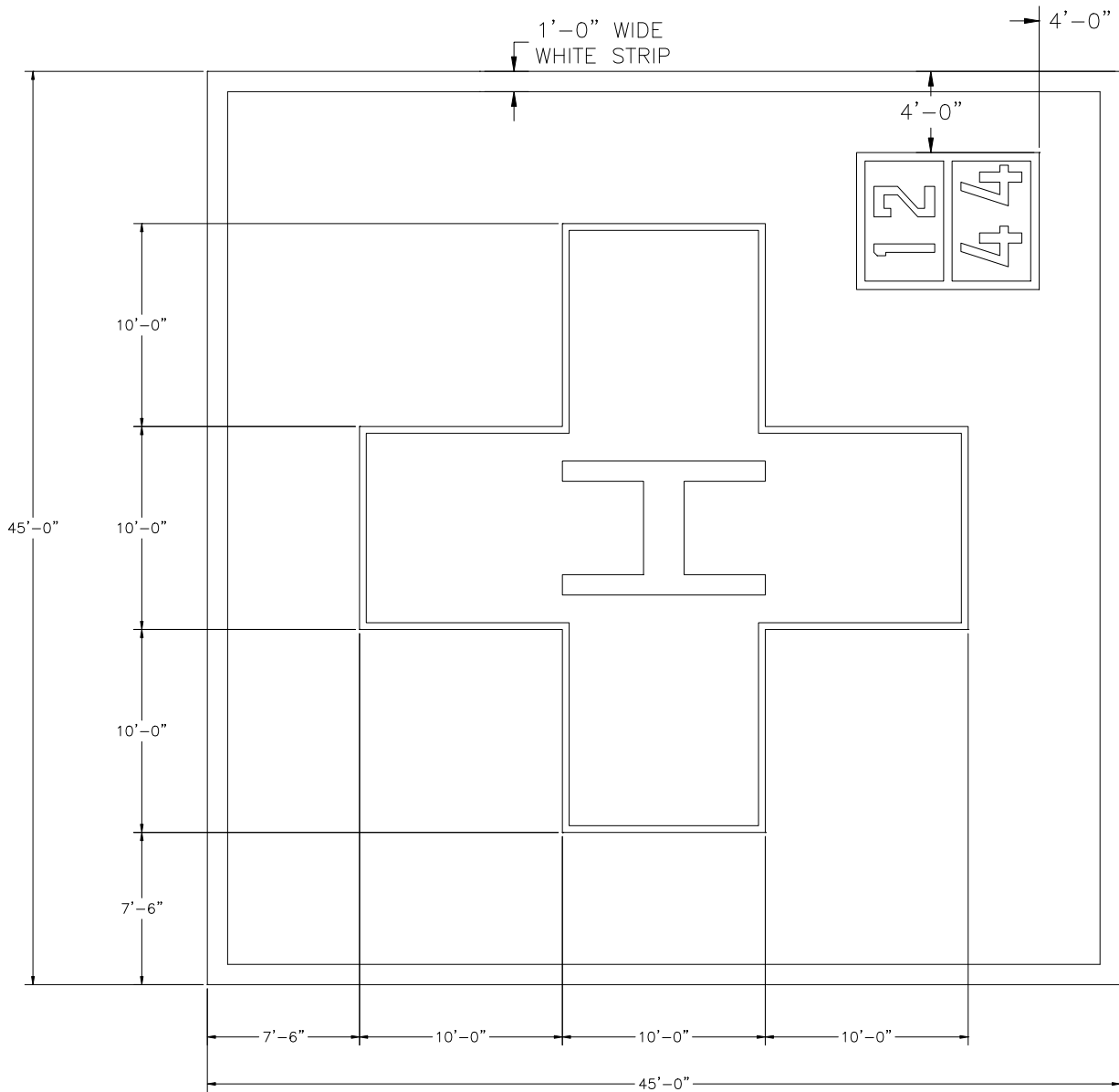


THIS DOCUMENT IS THE PROPERTY OF FEC HELIPORTS, A DIVISION OF FEDERAL EQUIPMENT COMPANY. CREATION AND REVISIONS CONTAINED ON THIS DOCUMENT SHALL NOT BE DISCLOSED TO OTHERS USED, REPRODUCED, OR REPRODUCED FOR ANY REASON WITHOUT THE EXPRESSED WRITTEN PERMISSION OF FEC HELIPORTS, A DIVISION OF FEDERAL EQUIPMENT COMPANY.

REVISION BLOCK

REVISION:	DATE:	REVISION NOTES:
*	7/18/07	



BUFFALO GENERAL HOSPITAL
100 HIGH ST.
BUFFALO, NY 14203



A Division of
Federal Equipment Company,
3298 River rd.
Cincinnati, Ohio 45233
(513) 621-5260
(513) 621-0524 Fax
www.FECHeliports.com

DRAWN BY: JDB
CHECKED BY: JJS

JOB NO. 9216

DATE: 7/18/07

PAINT GENERAL ARRANGEMENT
SCALE: 3/8" = 1'-0"

DWG SIZE: D
REV LTR: -

PA-1