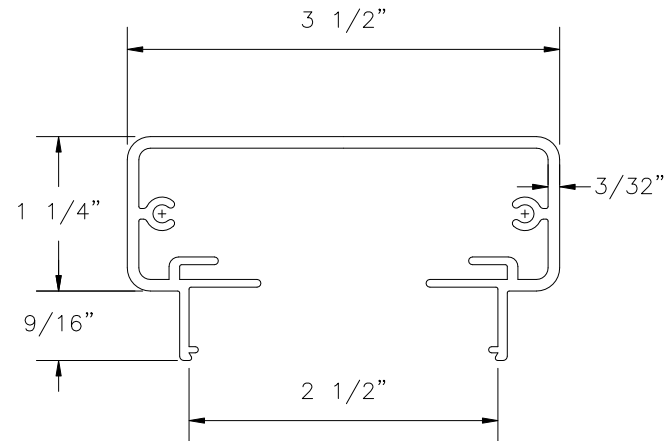
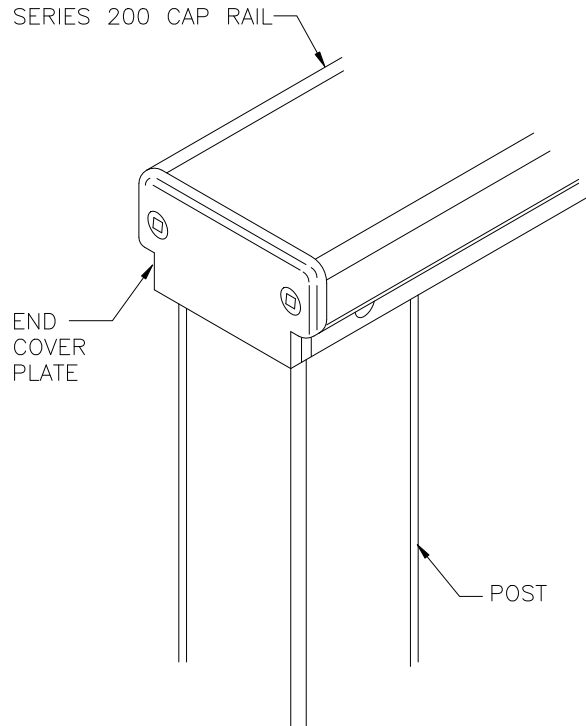


CAP RAIL: SERIES 200 RECTANGULAR

DWG # CAP 200 REV 1  
DATE 11/07



**feeneyarchitectural**  
PRODUCTS

DesignRail™ - Railing Systems  
2603 Union Street  
Oakland, CA 94607-2423  
Ph: 800-888-2418 or 510-893-9473  
Fx: 510-893-9484, [www.designrail.com](http://www.designrail.com)