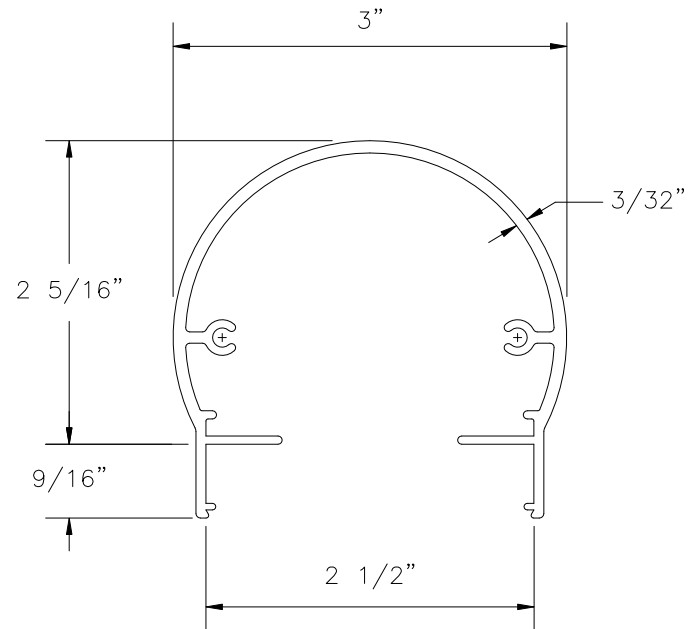
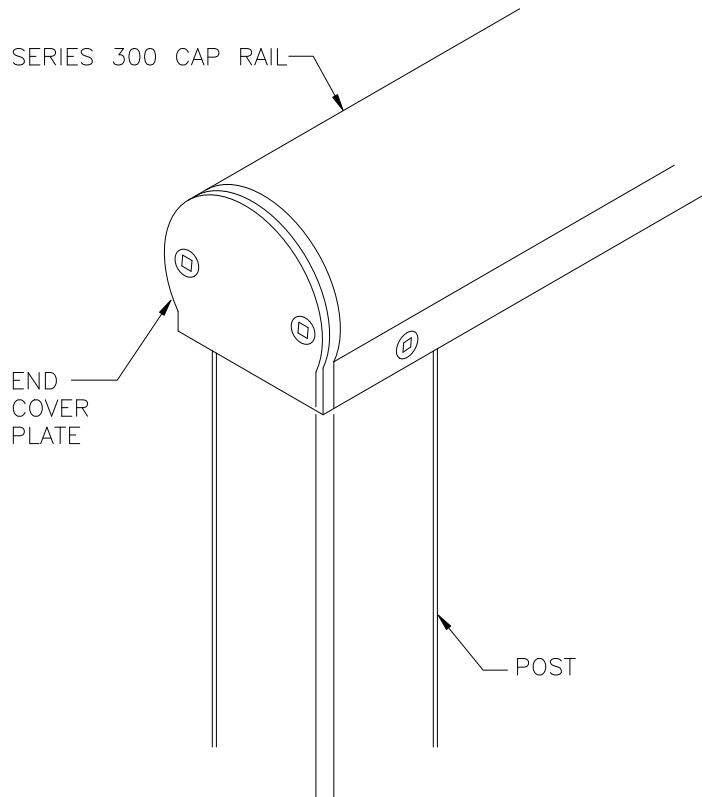


CAP RAIL: SERIES 300 ROUNDED

DWG # CAP 300 REV 1
DATE 11/07



feeneyarchitectural
PRODUCTS

DesignRail™ - Railing Systems
2603 Union Street
Oakland, CA 94607-2423
Ph: 800-888-2418 or 510-893-9473
Fx: 510-893-9484, www.designrail.com