

THREADED TERMINAL: STEEL PIPE POST WITH ANGLED TERMINATION – STAIRS

NOTE: DETAIL IS TYPICAL FOR 1/8", 3/16" AND  
1/4" DIAMETER STANDARD CABLERAIL™ ASSEMBLIES.

END FITTINGS:

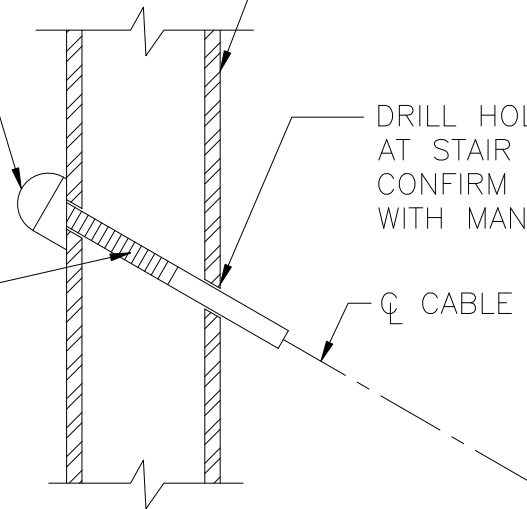
END CAP, COLORED POLYETHYLENE (STANDARD)  
OR ST. STL. (OPTIONAL)  
ST. STL. SNUG-GRIP™ WASHER-NUT (COVERED)  
ST. STL. BEVELED WASHER

1-7/8" O.D. x 1-1/2" I.D. MIN.  
EXTRA STRONG STEEL PIPE OR  
OTHER TYPE AND SIZE  
RECOMMENDED BY  
MANUFACTURER OR ENGINEER.

DRILL HOLE THROUGH POST  
AT STAIR SLOPE ANGLE.  
CONFIRM DRILL DIAMETER  
WITH MANUFACTURER.

STAINLESS STEEL  
THREADED TERMINAL

∅ CABLE



**feeneyarchitectural**  
P R O D U C T S

CableRail™ –Standard Assemblies

2603 Union Street

Oakland, CA 94607-2423

Ph: 800-888-2418 or 510-893-9473

Fx: 510-893-9484, [www.cablerail.com](http://www.cablerail.com)