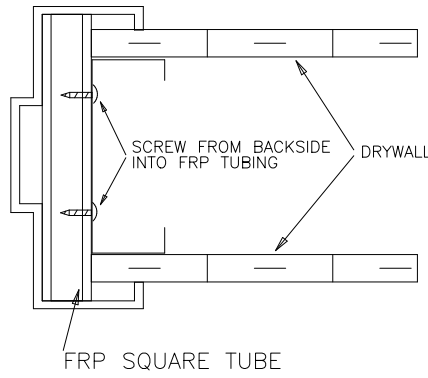
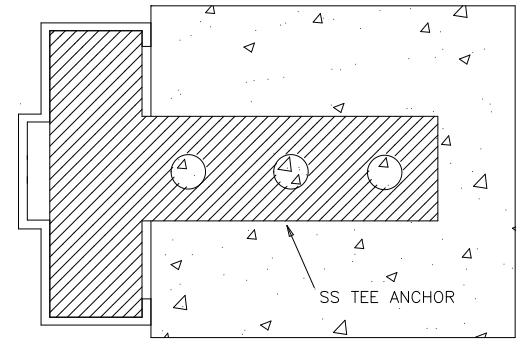


# FIB-R-DOR ANCHOR DETAILS

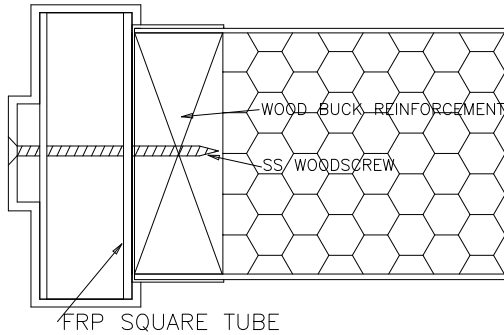
REVISED		DATE	BY	APP'D



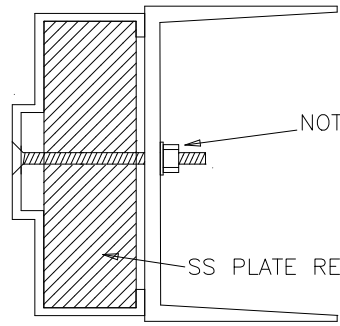
DRYWALL STUD ANCHOR



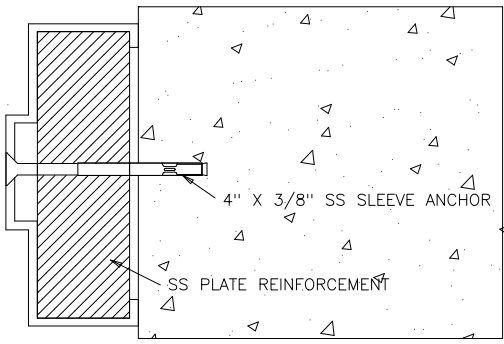
NEW MASONRY TEE ANCHOR



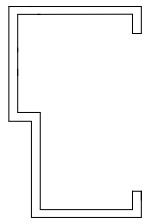
INSULATED PANEL WALL ANCHOR



SS MACHINE SCREW ANCHOR



EXISTING MASONRY ANCHOR



ALL ANCHOR TYPES ASSOCIATED WITH STANDARD 5 3/4" DOUBLE RABBET PROFILE ARE ALSO AVAILABLE IN 4" SINGLE RABBET PROFILE

	<b>ADVANCE FIBERGLASS</b> P.O. BOX 13368 MAUMELLE, AR. 72113		
	DATE:	DRAWN BY:	CHECKED BY:
SCALE:	anchor details		REV: