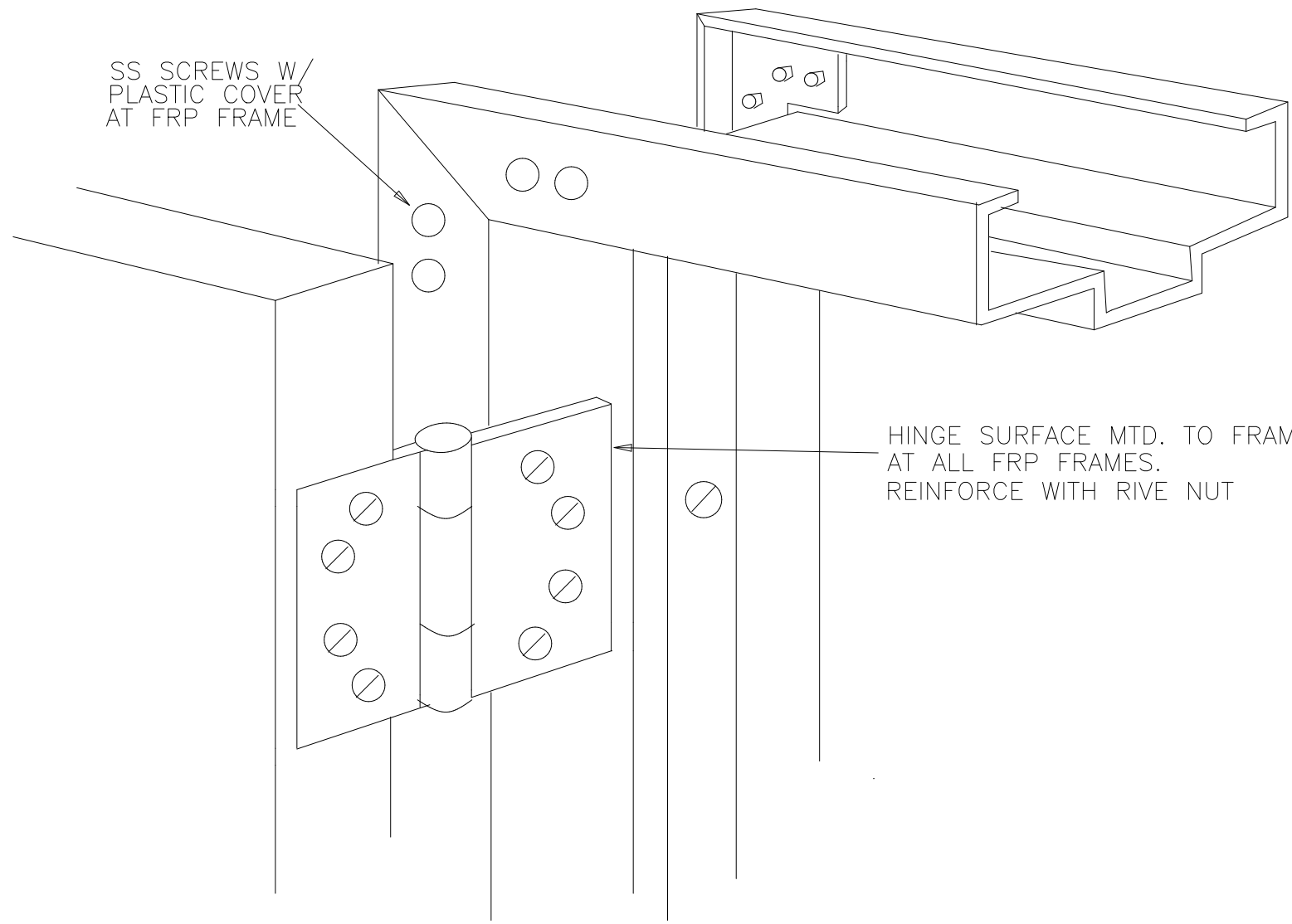


REVISIONS			
ZONE	REV.	DESCRIPTION	DATE



HINGE MOUNT DETAIL

ADVANCE FIBERGLASS			
P.O. BOX 13266			
MAUMELLE, AR 72113			
REV.	REV. NO.	DATE	BY
SCALE			