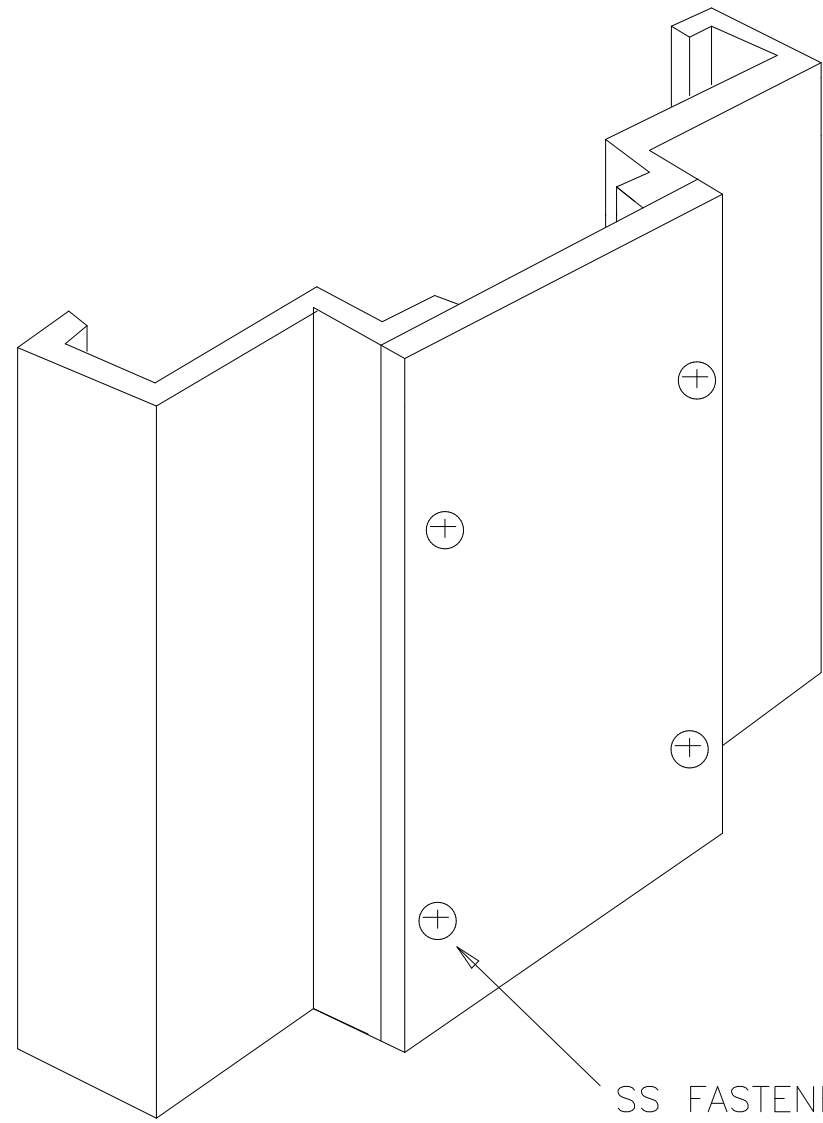
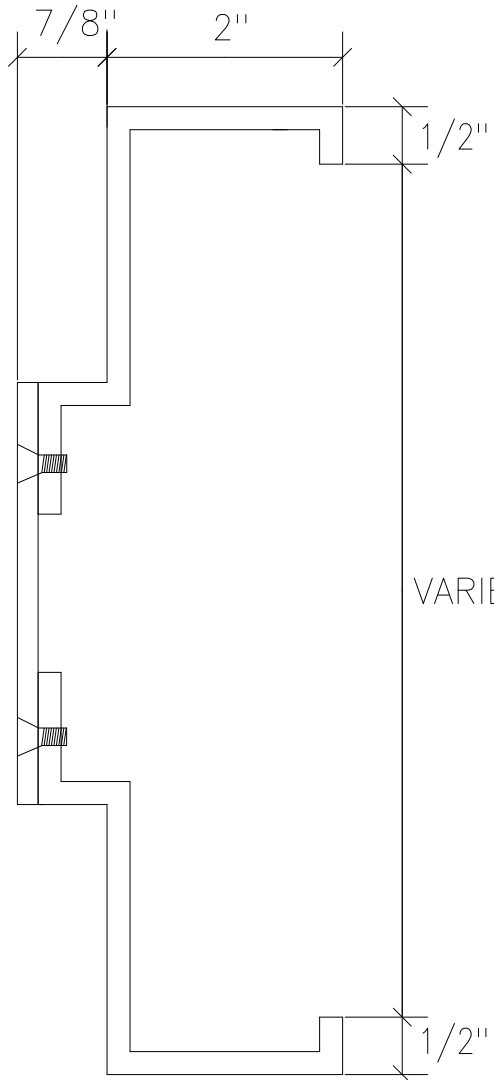


EQUAL RABBET SPLIT JAMB DETAIL

REV		DESCRIPTION	DATE	APPROVED



SS FASTENERS

		ADVANCE FIBERGLASS P.O. BOX 13266 MAUMELLE, AR 72113	
REV	REV. NO.	DATE	BY

