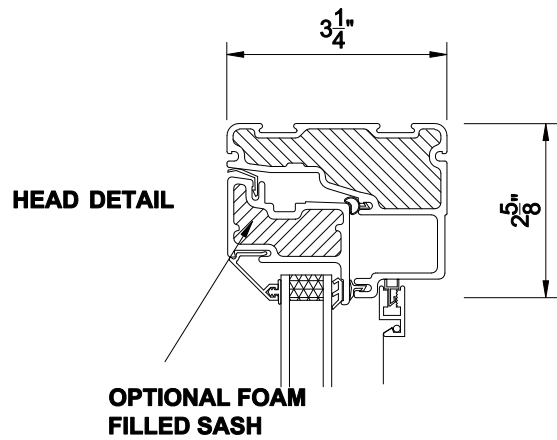
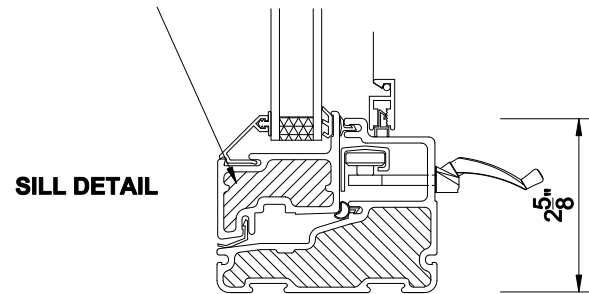


AWNING WINDOW
Exterior View

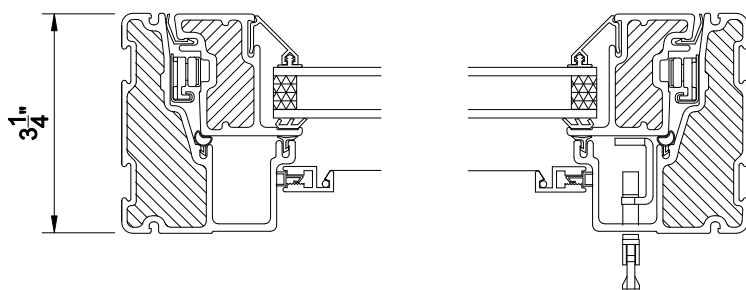


HEAD DETAIL



SILL DETAIL

SECTION A-A



JAMB DETAIL

SECTION B-B