

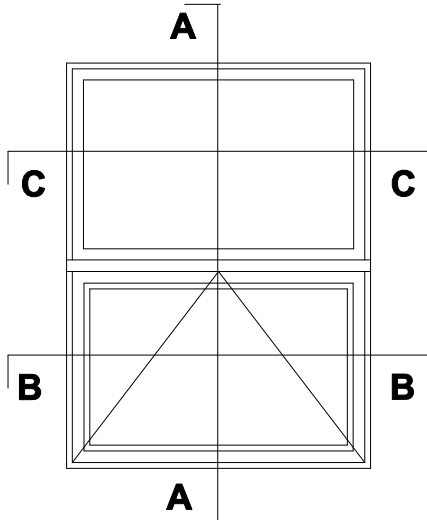
# FIBERTEC™

Window & Door Mfg.

FIBERGLASS WINDOW SYSTEMS

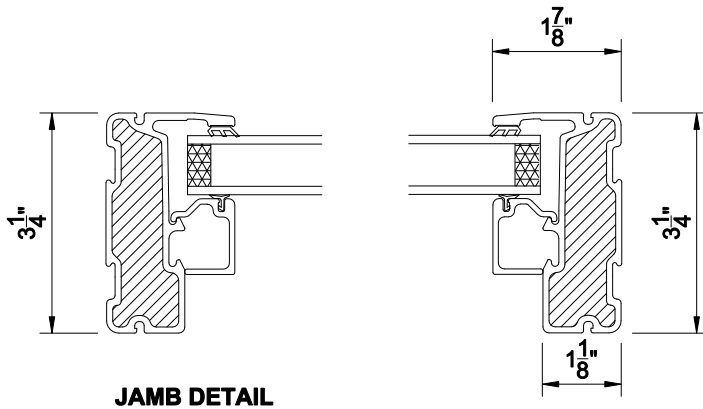
## 300 SERIES

FIX / AWNING  
SECTION DETAILS



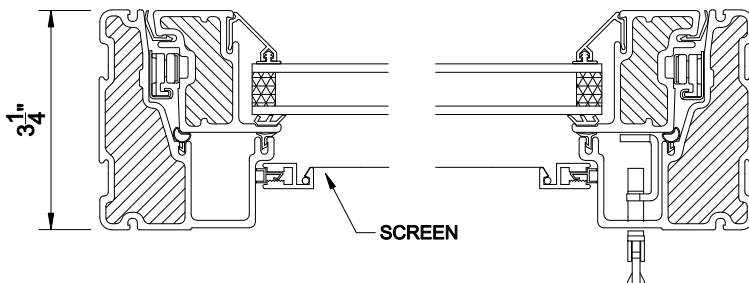
**FIX / AWNING**

Exterior View



JAMB DETAIL

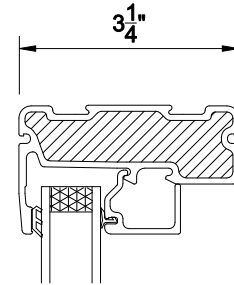
**SECTION C-C**



JAMB DETAIL

**SECTION B-B**

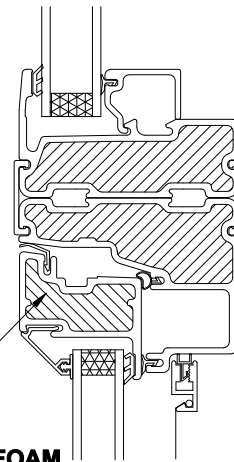
HEAD DETAIL



(Exterior)

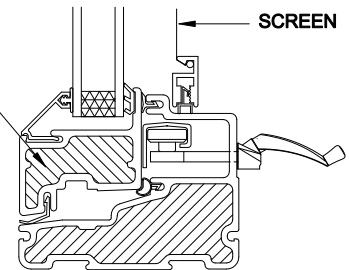
(Interior)

TRANSOM DETAIL



OPTIONAL FOAM  
FILLED SASH

SILL DETAIL



**SECTION A-A**