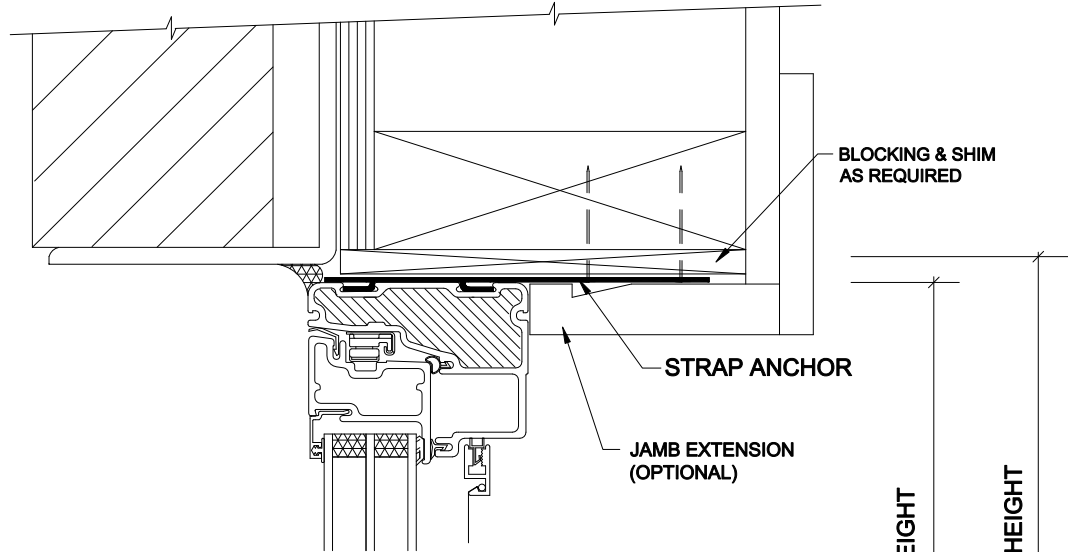
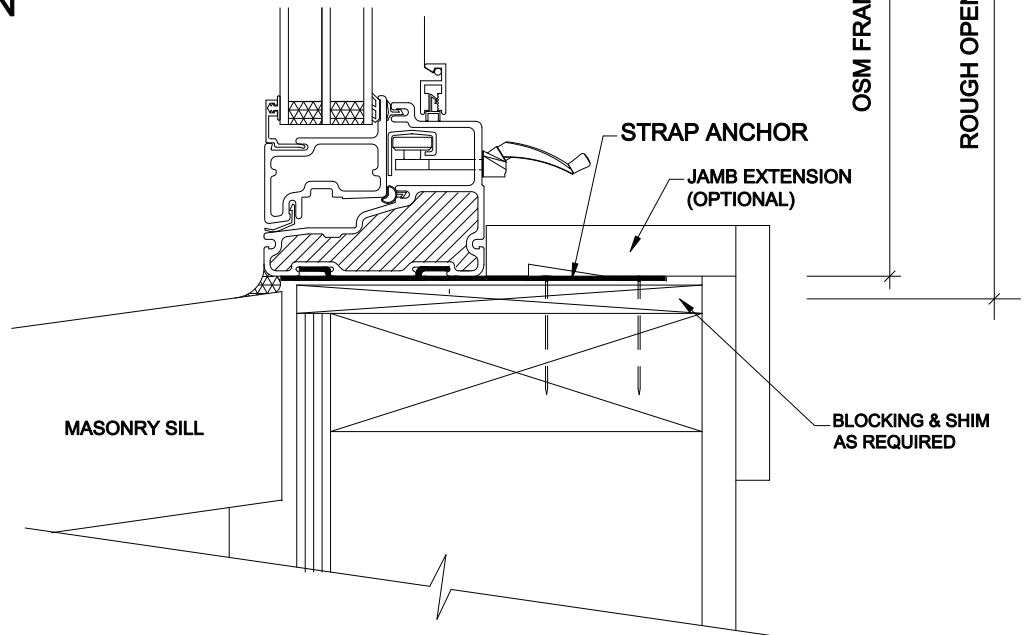


**HEAD
 DETAIL**

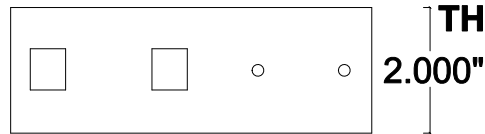


**TYPICAL STRAP ANCHOR
 INSTALLATION**

**SILL
 DETAIL**



**VERTICAL SECTION
 THRO' CASEMENT**



PLAN - STRAP ANCHOR