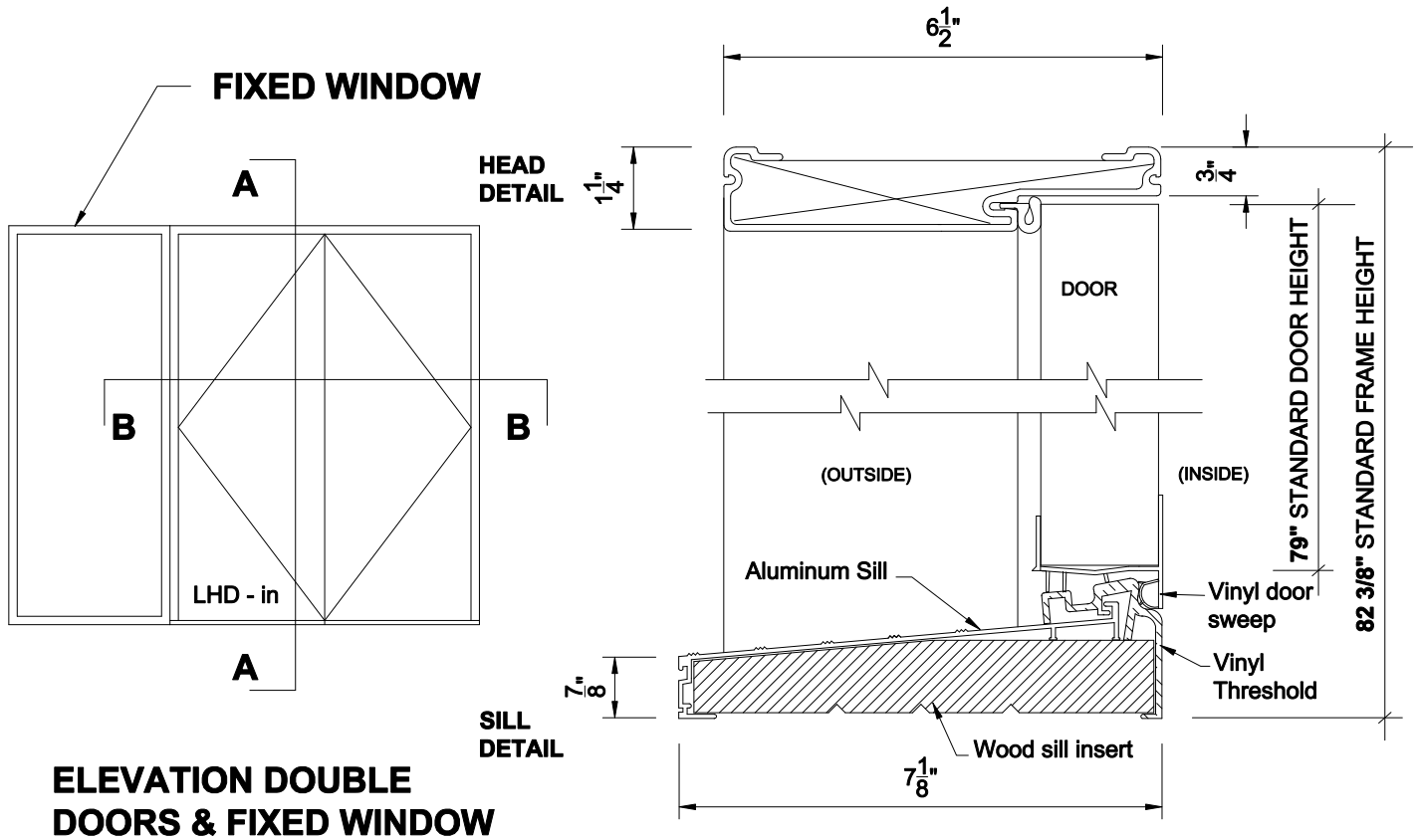


# FIBERTEC™

Window & Door Mfg.  
FIBERGLASS WINDOW SYSTEMS

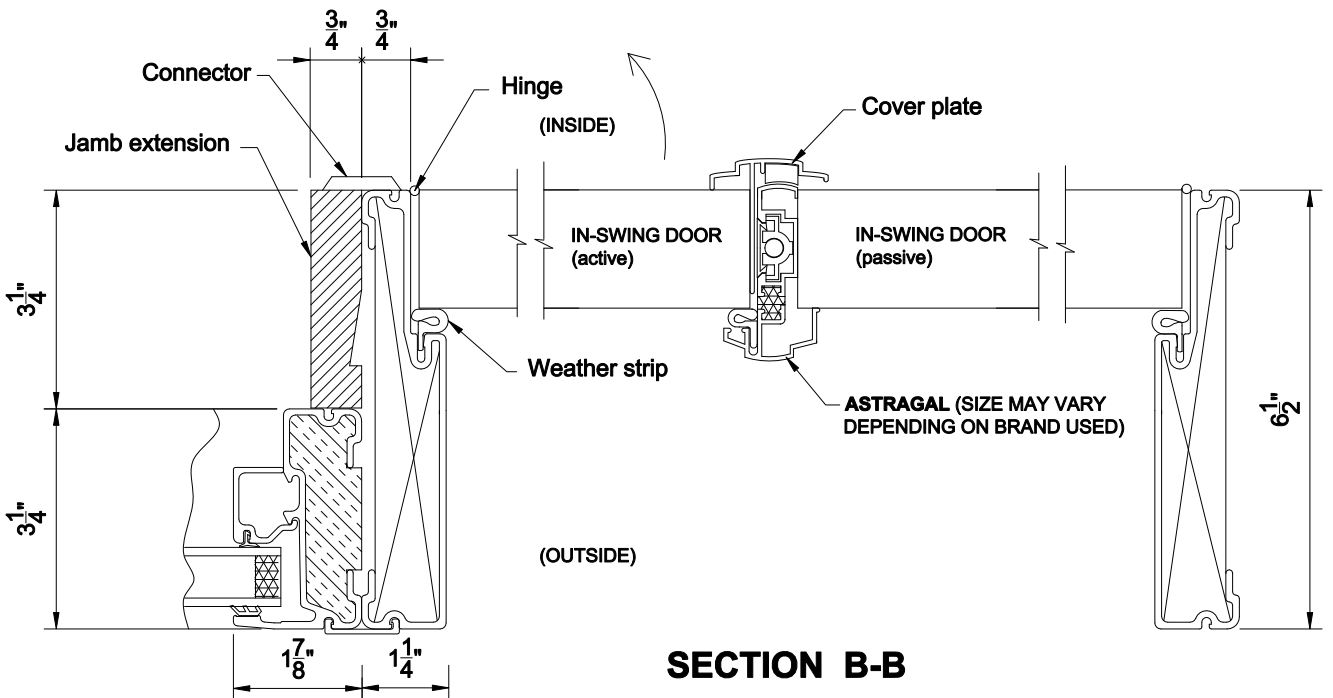
## DOOR FRAME - 6 1/2"

IN-SWING DOUBLE DOOR &  
FIXED WINDOW



**ELEVATION DOUBLE DOORS & FIXED WINDOW**

**SECTION A-A**



**SECTION B-B**