

D

D

C

C

B

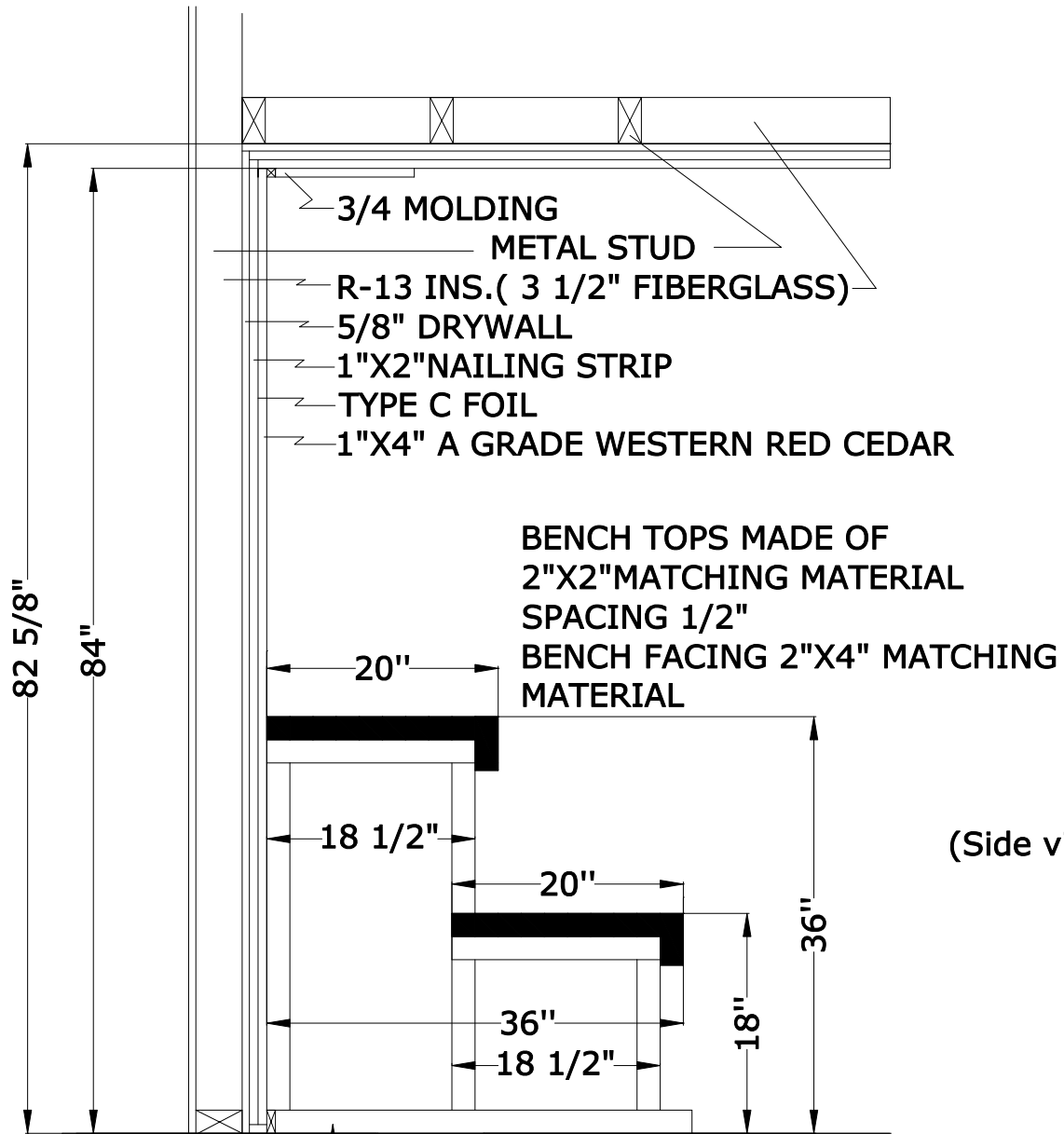
B

A

A

8 7 6 5 4 3 2 1

8 7 6 5 4 3 2 1



- 3/4 MOLDING
- METAL STUD
- R-13 INS.( 3 1/2" FIBERGLASS)
- 5/8" DRYWALL
- 1"X2"NAILING STRIP
- TYPE C FOIL
- 1"X4" A GRADE WESTERN RED CEDAR

BENCH TOPS MADE OF  
2"X2" MATCHING MATERIAL  
SPACING 1/2"  
BENCH FACING 2"X4" MATCHING  
MATERIAL

(Side view of benches)

1"x2" BASE  
Seal between base and floor  
with clear silicone sealant.

SCALE 3/4"=1'

METAL STUD FRAMING

**FINLANDIA**  
sauna products, INC.  
14010-B S.W. 72nd AVENUE  
PORTLAND, OREGON 97224-0088