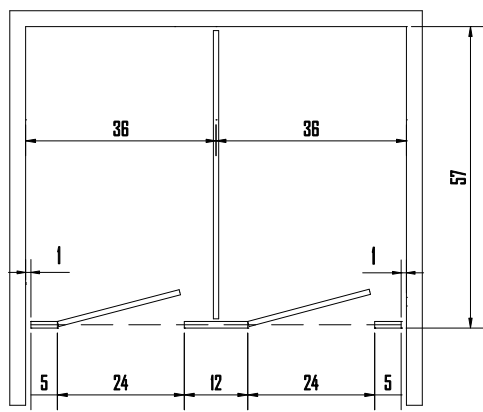
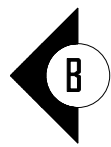
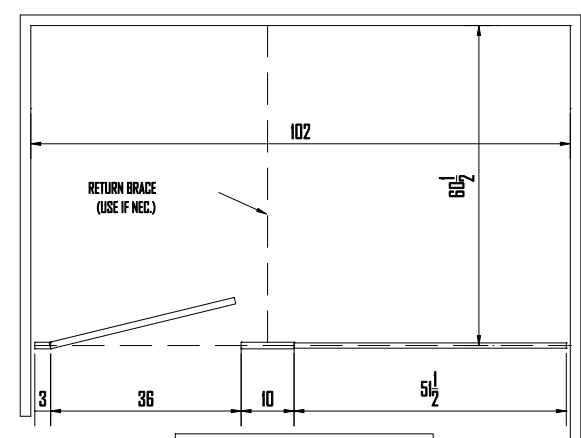


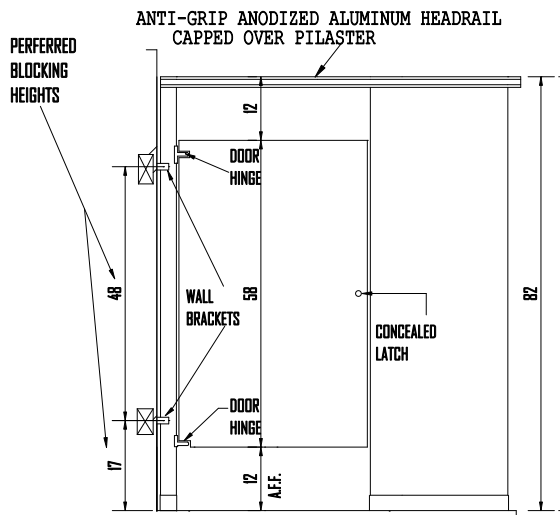
IN CORNER 2



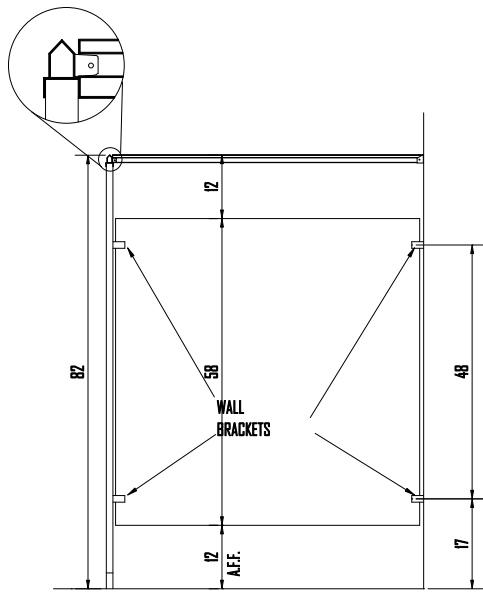
BETWEEN WALLS 2



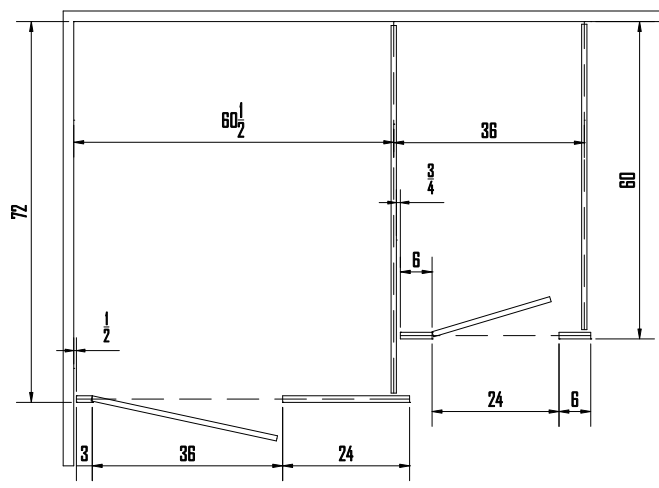
ADA ALCOVE



ELEV.: A



ELEV.: B



IN CORNER/ IN CORNER 1