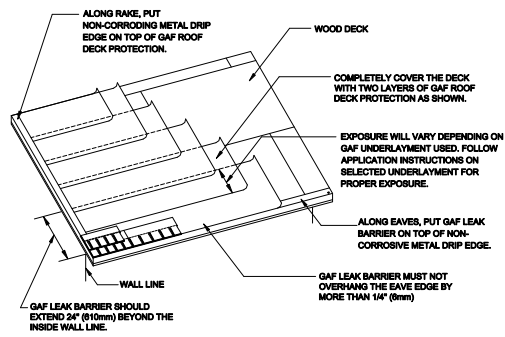



HIDDEN NOTES TO DRAFTSMAN
 1.) SELECT LOW SLOPE OR STEEP SLOPE APPLICATION BY LAYER.
 3.) HIDDEN NOTES WILL NOT PRINT OR PLOT.



NOTE:
 1. AT EAVES AND WHERE ICE DAMS CAN BE EXPECTED, USE ONE LAYER OF GAF LEAK BARRIER.

	STEEP SLOPE SHINGLE SERIES	UNDERLAYMENT LAYOUT FOR ROOF SLOPES 2:12 TO LESS THAN 4:12	DRAWING # 105	SYSTEM SHINGLES
	<small>www.gaf.com 1-877-454-7545 Wayne, NJ 07092</small>	GAF FIBERGLASS - ASPHALT COMPOSITE SHINGLES	SCALE N.T.S.	ISSUE/REVISION DATE 8-01-11