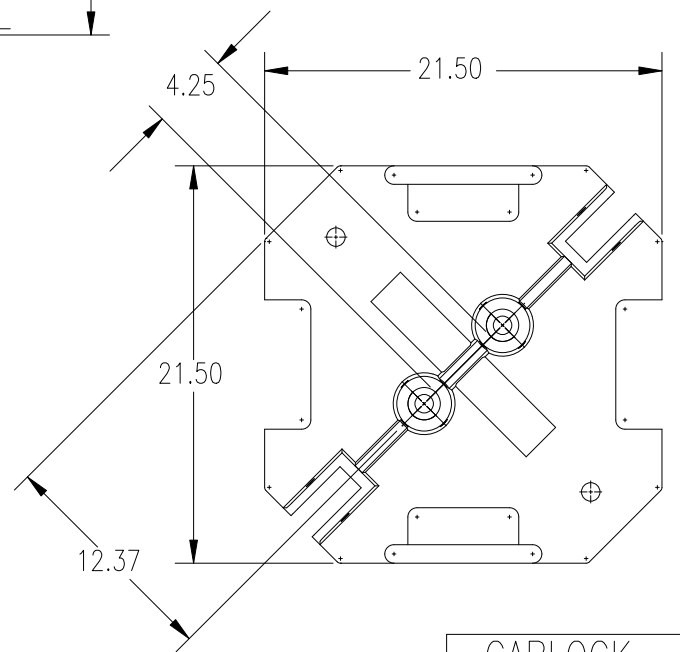


Maximum Length & Width Combinations List

--



REVISION BLOCK		MAT'L DESC.	 FRONT R. SIDE TOLERANCES U.O.S. FRAC 1/64	GARLOCK EQUIPMENT CO. <small>Copyright GARLOCK EQUIPMENT CO. 1997</small>	
L	DESCRIPTION OF REVISION	DATE/#		60X60 Sky Light	
		MAT'L NO. -	SIZE B DO NOT SCALE DRAWING THIS DOCUMENT CONTAINS CONFIDENTIAL PROPRIETARY INFORMATION OF GARLOCK EQUIPMENT CO. AND IS NOT TO BE DISCLOSED TO OTHERS		
		PART			
		WGT. 0.00			
		BLANK 0.000			
		QTY. -			
		PART FINISH NONE	DWN. DATE	SCALE	
			CDS	8/29/2003	1:8