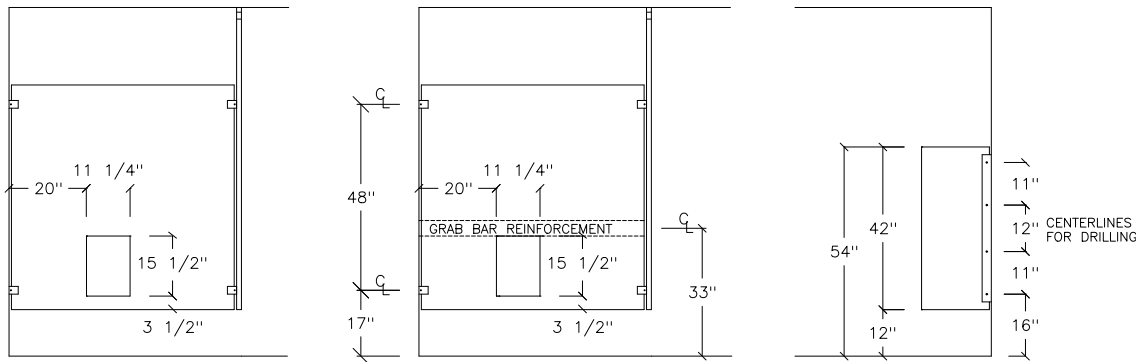


IMPERIAL CEILING HUNG ELEVATIONS



95 MARCUS BLVD. DEER PARK L.I., N.Y. 11729

MATERIAL TYPE:

- POWDER COAT BAKED ENAMEL
- #304 STAINLESS STEEL #4 SATIN FINISH

COLOR:

HARDWARE:

- CHROME PLATED ZAMAC HARDWARE
- #304 STAINLESS STEEL #4 SATIN FINISH, WRAP AROUND DOOR

HARDWARE

- CHROME PLATED ZAMAC BRACKETS
- #304 STAINLESS STEEL #4 SATIN FINISH BRACKETS

- ANODIZED ALUMINUM/FULL HEIGHT BRACKETS

DOOR LATCH:

- CONCEALED LATCHES

TARGET PLOT SCALE: 1/2" = 1'-0"