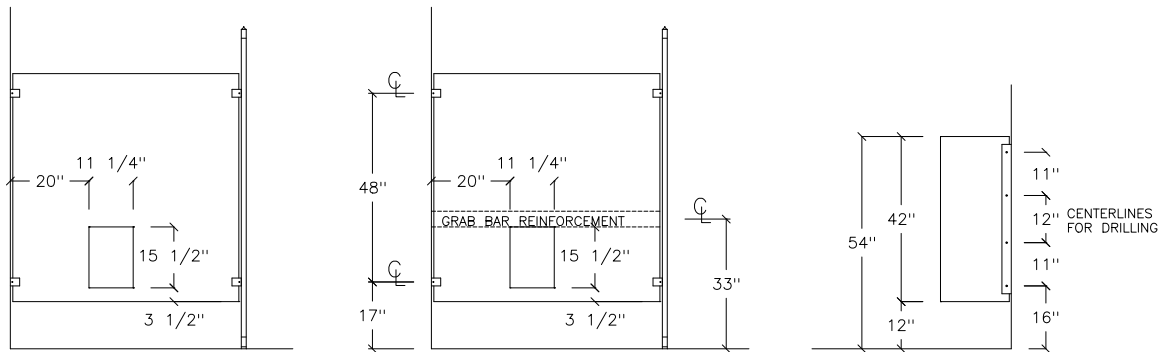


EMBASSY OVERHEAD BRACED ELEVATIONS



95 MARCUS BLVD. DEER PARK L.I., N.Y. 11729

**MATERIAL TYPE:**

- POWDER COAT BAKED ENAMEL
- #304 STAINLESS STEEL #4 SATIN FINISH

**COLOR:**

**HARDWARE:**

- CHROME PLATED ZAMAC HARDWARE
- #304 STAINLESS STEEL #4 SATIN FINISH, WRAP AROUND DOOR

**HARDWARE**

- CHROME PLATED ZAMAC BRACKETS
- #304 STAINLESS STEEL #4 SATIN FINISH BRACKETS

- ANODIZED ALUMINUM/FULL HEIGHT BRACKETS

**DOOR LATCH:**

- CONCEALED LATCHES, ADA LEVER HANDLE AT HANDICAPPED DOORS.

TARGET PLOT SCALE: 1/2" = 1'-0'