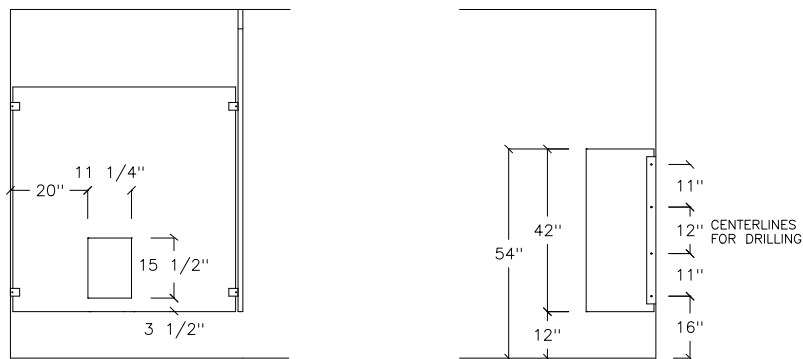


IMPERIAL CEILING HUNG ELEVATIONS



95 MARCUS BLVD. DEER PARK L.I., N.Y. 11729

MATERIAL TYPE:

PLASTIC LAMINATE

COLOR:

HARDWARE:

CHROME PLATED ZAMAC HARDWARE

#304 STAINLESS STEEL #4 SATIN FINISH DOOR HARDWARE

CHROME PLATED ZAMAC BRACKETS

#304 STAINLESS STEEL #4 SATIN FINISH BRACKETS

ANODIZED ALUMINUM/FULL HEIGHT BRACKETS

DOOR LATCH:

CHROME PLATED ZAMAC SLIDE LATCH.

TARGET PLOT SCALE: 1/2" = 1'-0'