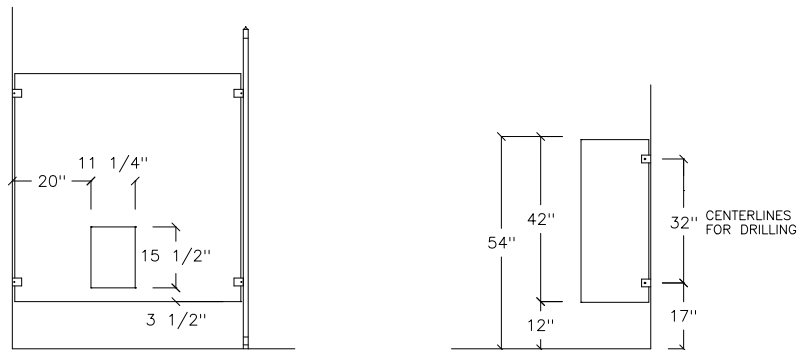


EMBASSY OVERHEAD BRACED ELEVATIONS



95 MARCUS BLVD. DEER PARK L.I., N.Y. 11729

MATERIAL TYPE:

PHENOLIC/VAULT TYPE HINGE

COLOR:

HARDWARE:

CHROME PLATED ZAMAC HARDWARE

#304 STAINLESS STEEL #4 SATIN FINISH BRACKETS

DOOR LATCH:

SLIDE LATCHES

COMMENTS:

DOORS-3/4" THICK
 PILASTERS-3/4" THICK
 PANELS-1/2" THICK

TARGET PLOT SCALE: 1/2" = 1'-0'