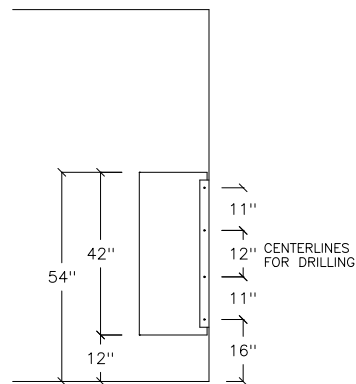


FLOOR TO CEILING POLYMER VAULT HINGE ELEVATIONS



95 MARCUS BLVD. DEER PARK L.I., N.Y. 11729

MATERIAL TYPE: POLYMER

BANK VAULT HINGES

COLOR:

HARDWARE:

CHROME PLATED DIE CAST  
ALUMINUM ALLOY DOOR HARDWARE,  
BRUSHED FINISH.

ANODIZED ALUMINUM BRACKETS

DOOR LATCH:

SLIDE LATCH

TARGET PLOT SCALE: 1/2" = 1'-0'