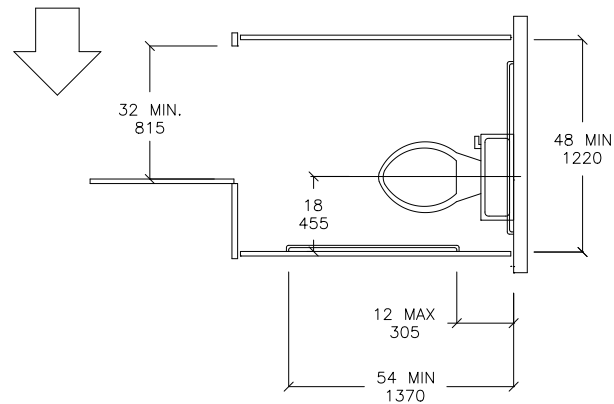
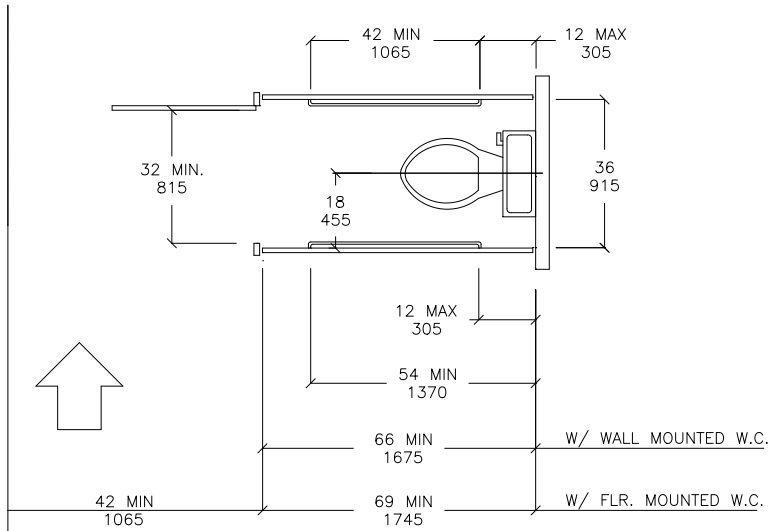


APPROVED
HANDICAP LAYOUTS



42 MIN LATCH
APPROACH ONLY
OTHER APPROACHES
48 MIN

(B)
ALTERNATE STALLS

TARGET PLOT SCALE: 1/2" = 1'-0'