

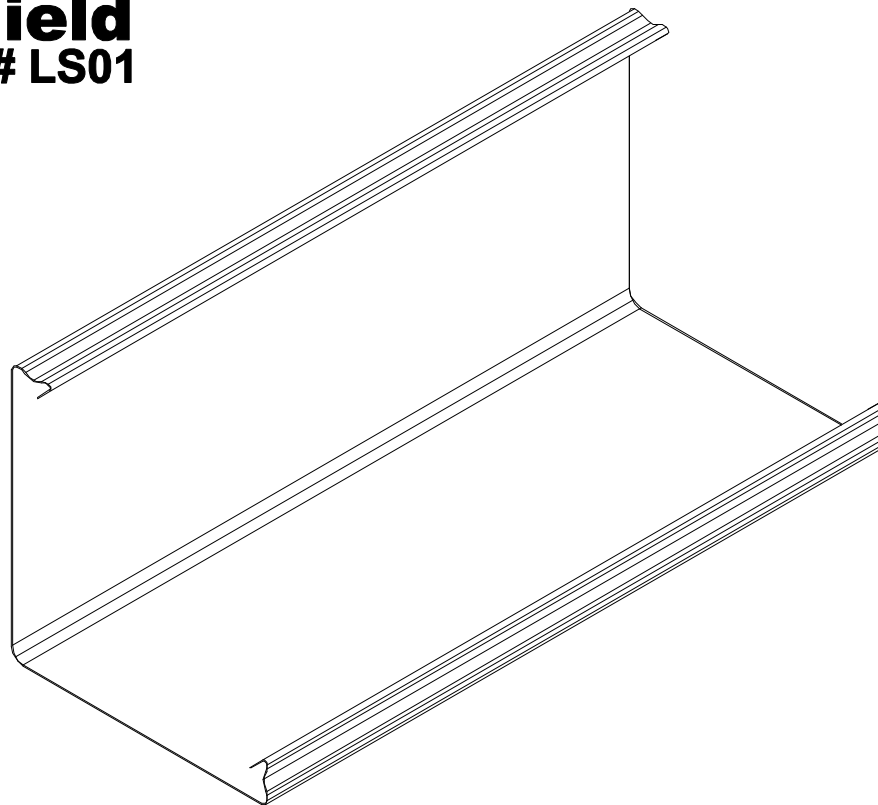
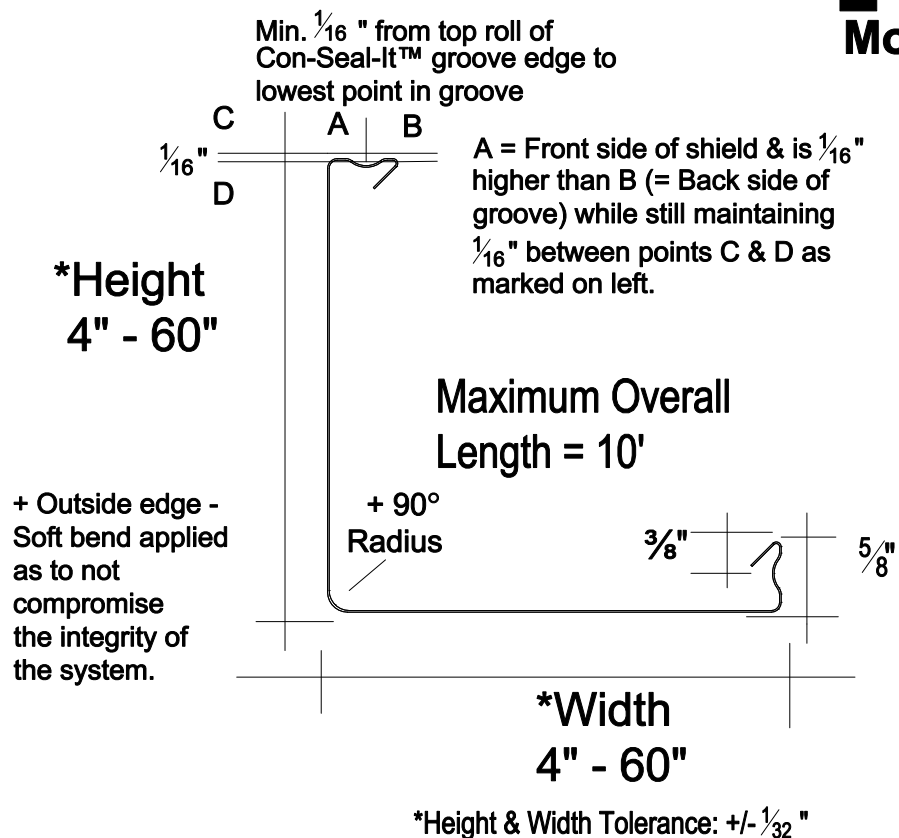
24-20Gauge = Sonneborn® NP-1 Sealant
20-16Gauge = Sonneborn® Ultra Sealant

Soffi-Steel® System

L-Shield

Model# LS01

Revision #:002 / Date: 12-23-08



Coating/Paint Specifications: Zinc-Galvanized Paintgrip ASTM A653-G90 U Coating/Owner-Selected Powdura® Hybrid Powder Coating Finish
Material Specifications: 24-16Gauge Prime Galvannealed Steel Sheets, Not Chemically Treated, Dry, Commercial Steel, Type B to ASTM A-653-96