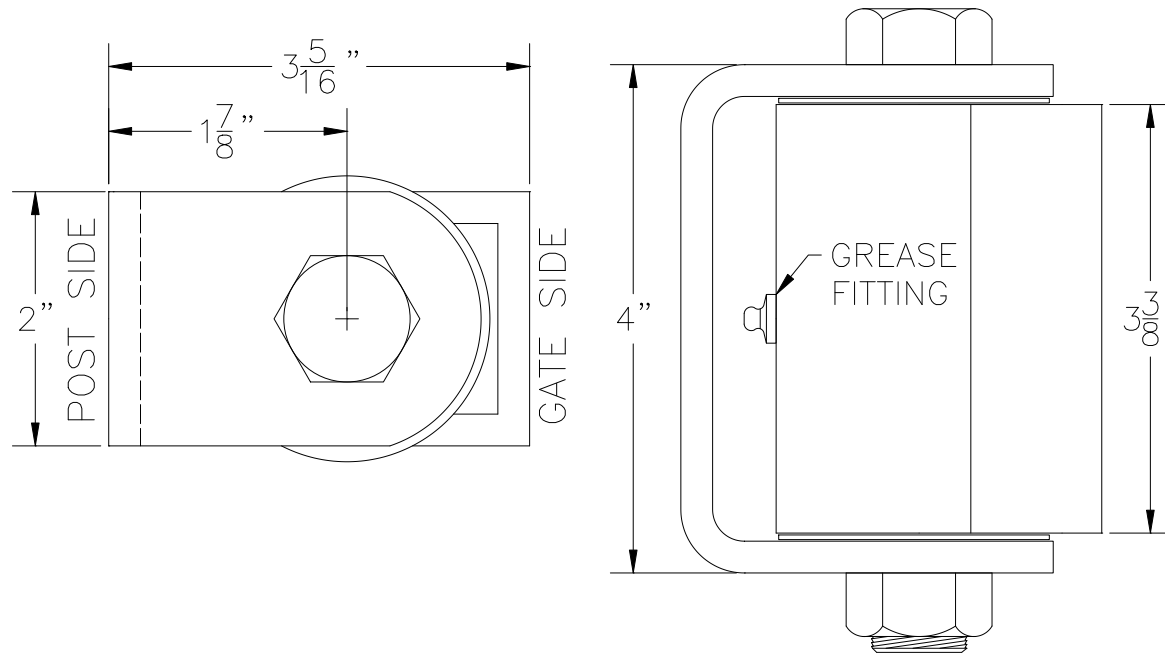


NOTES:

1. MATERIAL - CARBON STEEL
2. ALL DIMENSIONS ARE STANDARD INCH.
3. WELDED CONSTRUCTION.
4. FINISH PAINT:
2000.100-PRIMER
2000.150-UNFINISHED
2000.200-GALVANIZED
5. FLAT MOUNT-BOTH SIDES



			
GATE HARDWARE			
DESCRIPTION			
GUARDIAN HD HINGE MOD. 2000.100 - 200			
DATE	03/14/06	SCALE	1=1
DRAWN BY	GGH	SHEET	1 OF 1
PART NUMBER		REVISION	
GH-SPEC-2000		0	

COPYRIGHT © 2007 GUARDIAN GATE HARDWARE

4261 S. COUNTRY CLUB RD., TUCSON, AZ 85714-2009 1.520.881.3380 FAX 1.520.320.1820
E-mail: sales@guardiangatehardware.com http://www.guardiangatehardware.com