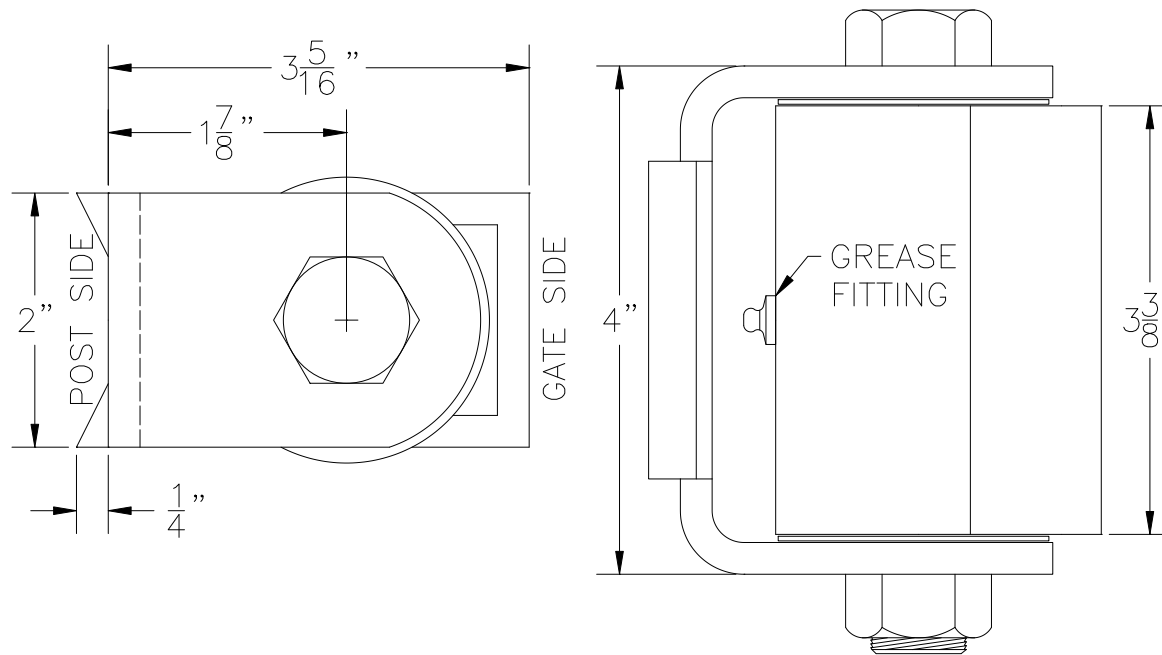


NOTES:

1. MATERIAL - CARBON STEEL
2. ALL DIMENSIONS ARE STANDARD INCH.
3. WELDED CONSTRUCTION.
4. FINISH PAINT:  
2015.100-PRIMER  
2015.150-UNFINISHED  
2015.200-GALVANIZED
5. FLAT MOUNT TO GATE  
ROUND MOUNT TO POST



DESCRIPTION  
**GUARDIAN STD. HINGE  
MOD. 2015.100-200**

DATE	12/21/06	SCALE	1=1
DRAWN BY	GGH	SHEET	1 OF 1
		SHEET SIZE	B

PART NUMBER	GH-SPEC-2015	REVISION	-
-------------	--------------	----------	---

COPYRIGHT © 2007 GUARDIAN GATE HARDWARE

4261 S. COUNTRY CLUB RD., TUCSON, AZ 85714-2009 1.520.881.3380 FAX 1.520.320.1820  
E-mail: sales@guardiangatehardware.com http://www.guardiangatehardware.com