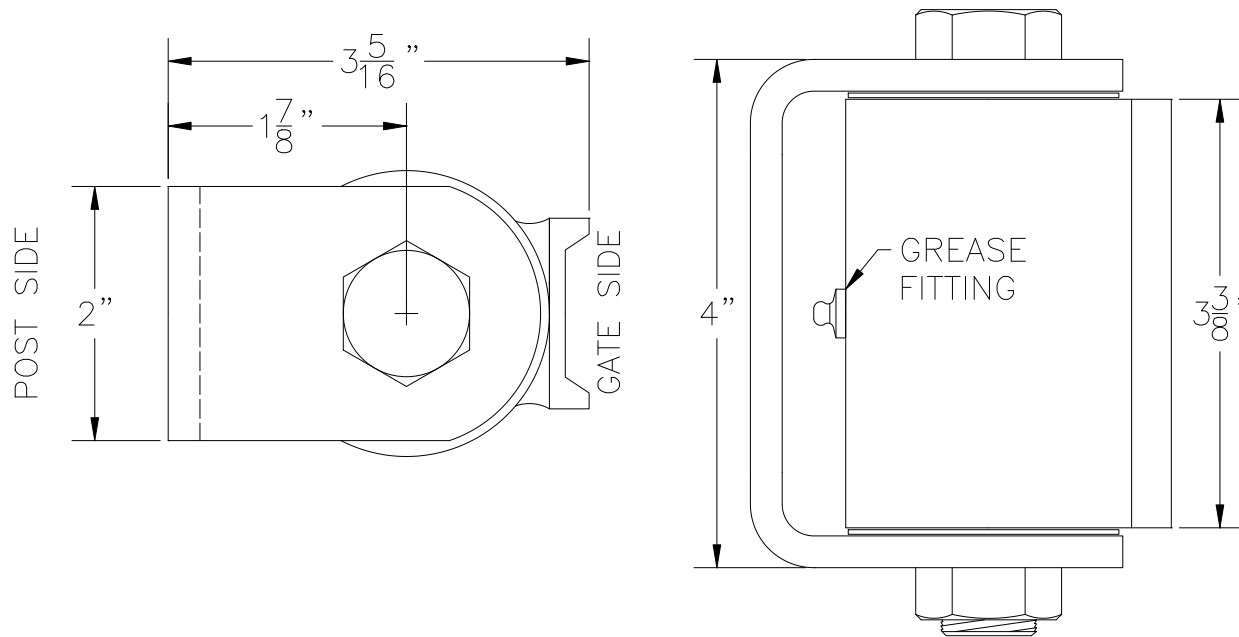


NOTES:

1. MATERIAL - CARBON STEEL
2. ALL DIMENSIONS ARE STANDARD INCH.
3. WELDED CONSTRUCTION
4. FINISH PAINT -  
2020.100-PRIMER  
2020.150-NONE  
2020.200-GALVANIZED
5. MOUNTING -  
POST-FLAT  
GATE-ROUND



|   |              |            |        |
|---|--------------|------------|--------|
| DESCRIPTION                             |              |            |        |
| GUARDIAN HD HINGE<br>MOD.2020.100 - 200 |              |            |        |
| DATE                                    | 12/27        | SCALE      | 1=1    |
| DRAWN BY                                | GGH          | SHEET      | 1 OF 1 |
| PART NUMBER                             | GH-SPEC-2020 | SHEET SIZE | B      |
| REVISION                                | REV          |            |        |

COPYRIGHT © 2007 GUARDIAN GATE HARDWARE

4261 S. COUNTRY CLUB RD., TUCSON, AZ 85714-2009 1.520.881.3380 FAX 1.520.320.1820  
E-mail: sales@guardiangatehardware.com http://www.guardiangatehardware.com