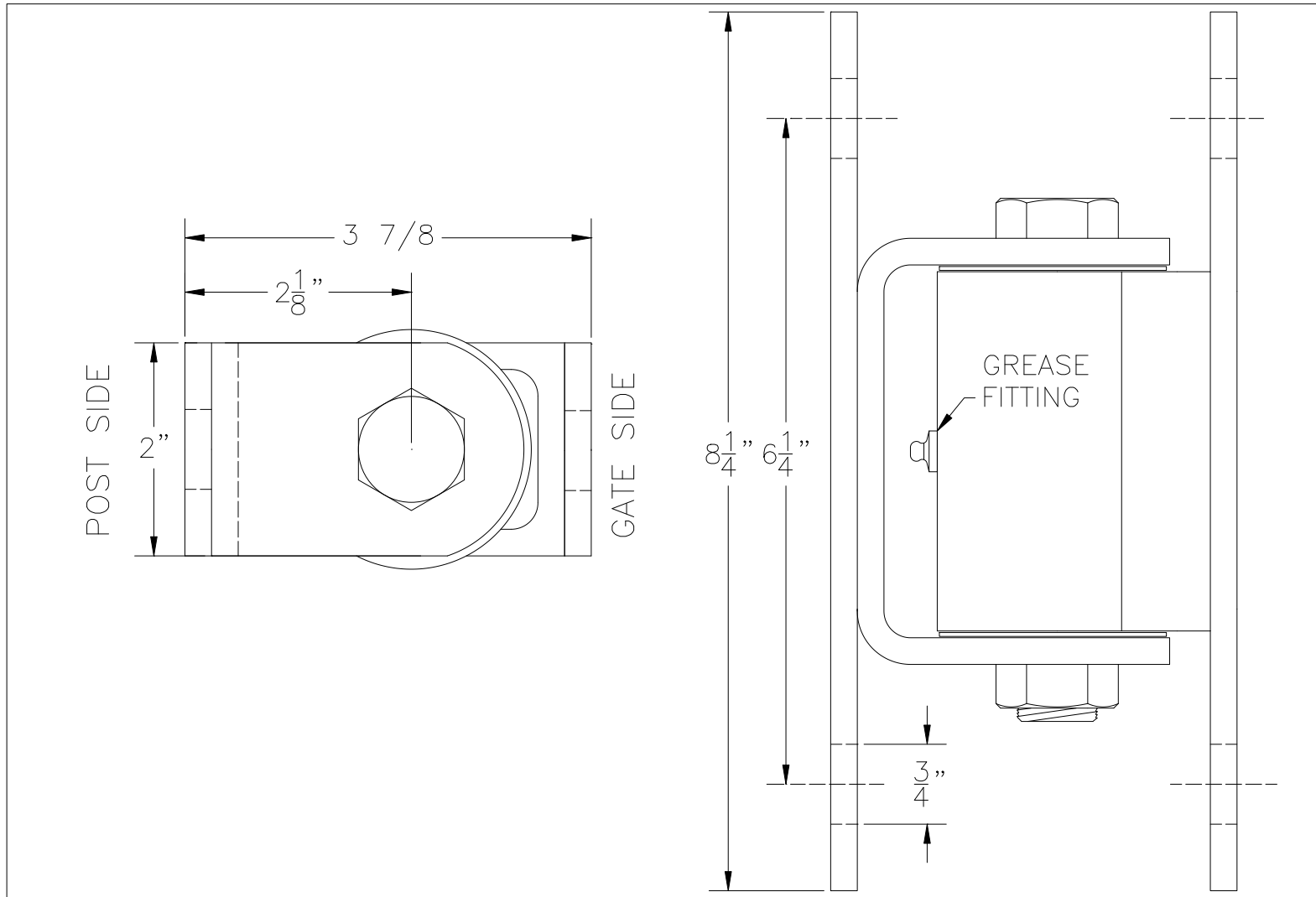


NOTES:

1. MATERIAL - CARBON STEEL
2. ALL DIMENSIONS ARE STANDARD INCH.
3. WELDED CONSTRUCTION
4. FINISH PAINT -
 2050.100-PRIMER
 2050.150-NONE
 2050.200-GALVANIZED
 2050.250-ZINC PLATED
 2050.300-POWDER COATED, BLACK
5. MOUNTING -
 POST-BOLT TO POST
 GATE-BOLT TO GATE



COPYRIGHT © 2007 GUARDIAN GATE HARDWARE

4261 S. COUNTRY CLUB RD., TUCSON, AZ 85714-2009 1.520.881.3380 FAX 1.520.320.1820
 E-mail: sales@guardiangatehardware.com http://www.guardiangatehardware.com

		DESCRIPTION	
		GUARDIAN HD HINGE MOD.2050.100-300	
DATE	1/2/07	SCALE	1=1
DRAWN BY	GGH	SHEET	1 OF 1
PART NUMBER	GH-SPEC-2050	SHEET SIZE	B
REVISION	-		