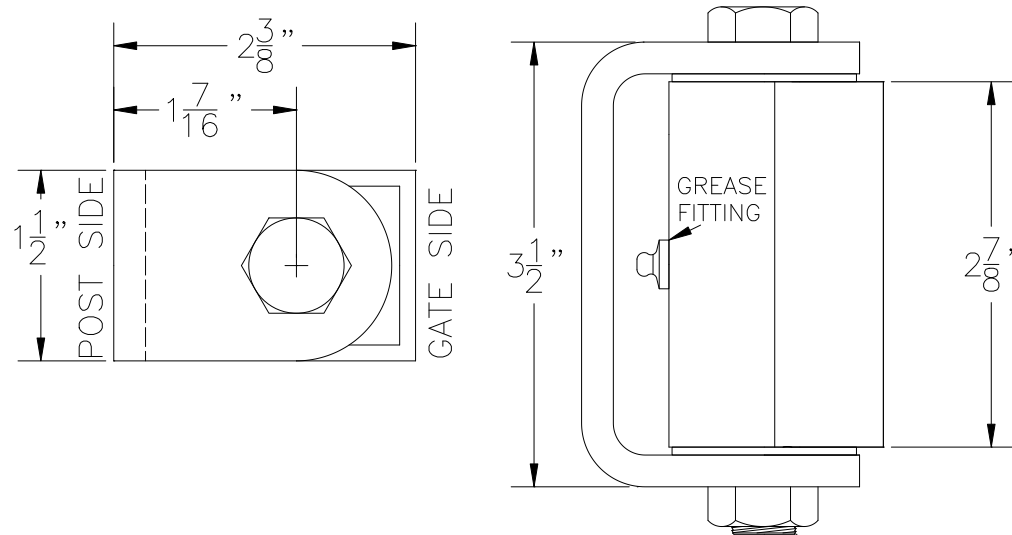


NOTES:

1. MATERIAL - CARBON STEEL
2. ALL DIMENSIONS ARE STANDARD INCH.
3. WELDED CONSTRUCTION.
4. FINISH PAINT:
2100.100-PRIMER
2100.150-UNFINISHED
2100.200-GALVANIZED
5. FLAT MOUNT-BOTH SIDES



DESCRIPTION
**GUARDIAN STD. HINGE
MOD. 2100.100-200**

DATE 12/21/06 SCALE 1=1

DRAWN BY GGH SHEET 1 OF 1 SHEET SIZE B

PART NUMBER GH-SPEC-2100 REVISION -

COPYRIGHT © 2007 GUARDIAN GATE HARDWARE

4261 S. COUNTRY CLUB RD., TUCSON, AZ 85714-2009 1.520.881.3380 FAX 1.520.320.1820
E-mail: sales@guardiangatehardware.com http://www.guardiangatehardware.com