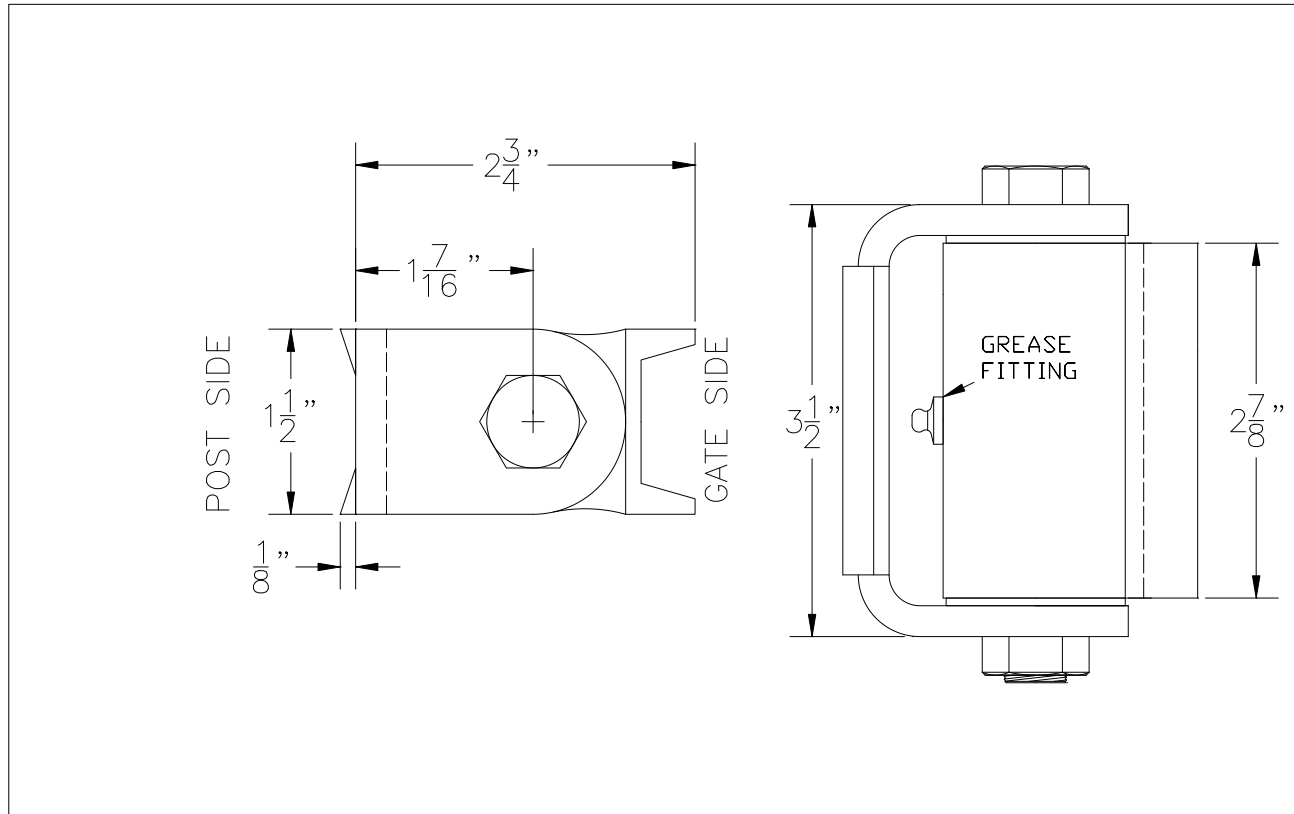


NOTES:

1. MATERIAL-
CARBON STEEL
2. ALL DIMENSIONS ARE
STANDARD INCH.
3. WELDED CONSTRUCTION
4. FINISH PAINT -
2110.100-PRIMER
2110.150-NONE
2110.200-GALVANIZED
5. MOUNTING -
POST-ROUND
GATE-ROUND



Guardian
GATE HARDWARE

DESCRIPTION
**GUARDIAN STD. HINGE
MOD. 2110.100 - 200**

DATE	12/27/06	SCALE	1=1
DRAWN BY	GGH	SHEET	1 OF 1
PART NUMBER	GH-SPEC-2110		REVISION
			-

COPYRIGHT © 2007 GUARDIAN GATE HARDWARE

4261 S. COUNTRY CLUB RD., TUCSON, AZ 85714-2009 1.520.881.3380 FAX 1.520.320.1820
E-mail: sales@guardiangatehardware.com http://www.guardiangatehardware.com