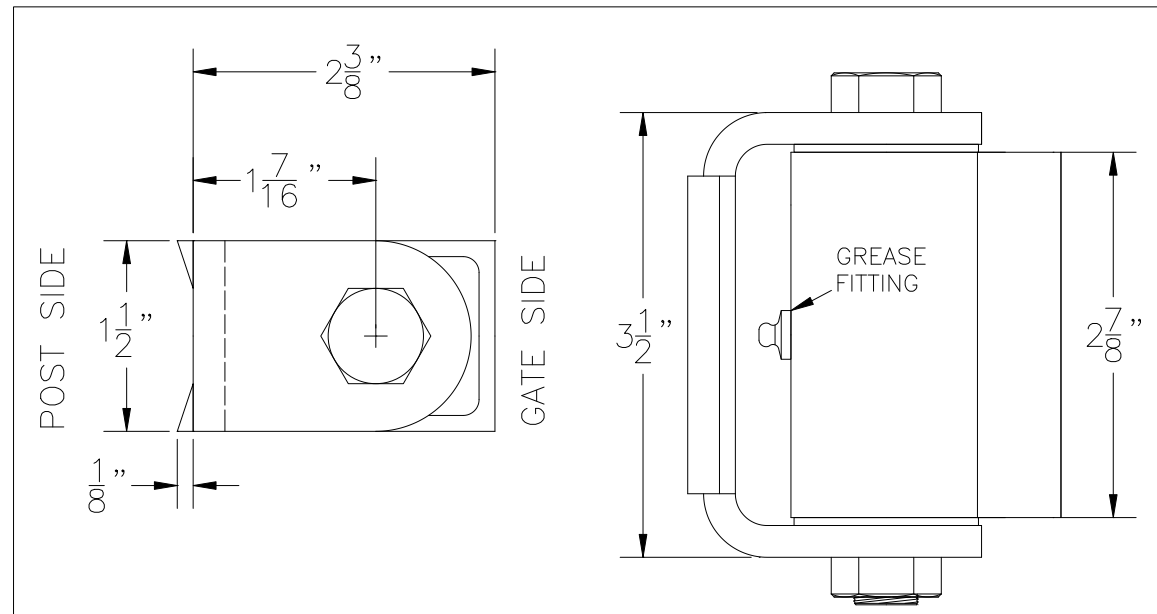


NOTES:

1. MATERIAL-
CARBON STEEL
2. ALL DIMENSIONS ARE
STANDARD INCH.
3. WELDED CONSTRUCTION
4. FINISH PAINT -
2115.100-PRIMER
2115.150-NONE
2115.200-GALVANIZED
5. MOUNTING -
POST-ROUND
GATE-FLAT



Guardian
GATE HARDWARE

DESCRIPTION
**GAURDIAN STD. HINGE
MOD.2115.100-200**

DATE 12/28/06	SCALE 1=1
DRAWN BY GGH	SHEET 1 OF 1
PART NUMBER GH-SPEC-2115	REVISION -

COPYRIGHT © 2007 GUARDIAN GATE HARDWARE

4261 S. COUNTRY CLUB RD., TUCSON, AZ 85714-2009 1.520.881.3380 FAX 1.520.320.1820
E-mail: sales@guardiangatehardware.com http://www.guardiangatehardware.com