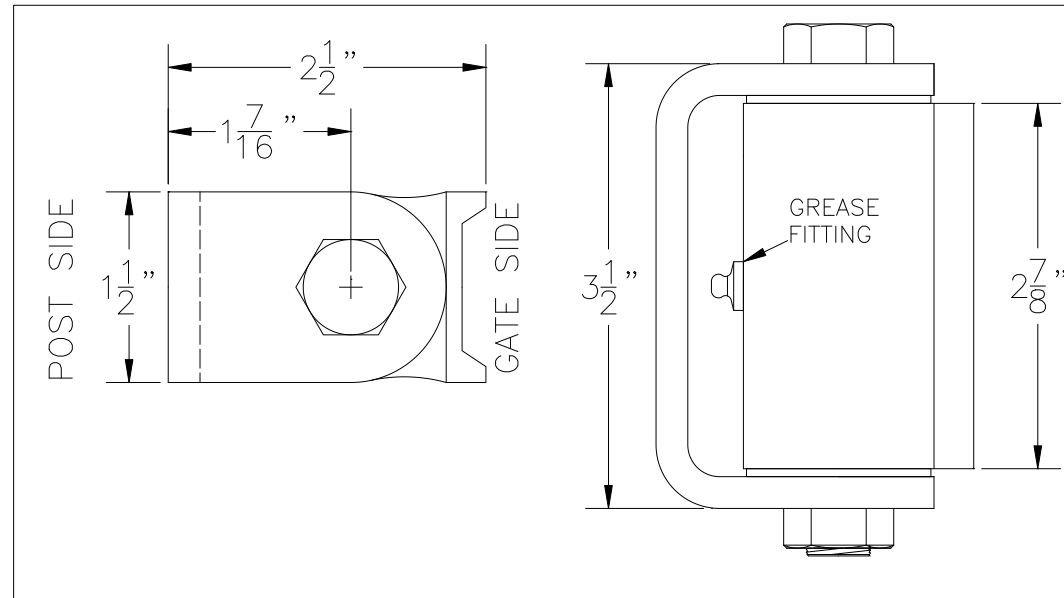


NOTES:

1. MATERIAL - CARBON STEEL
2. ALL DIMENSIONS ARE STANDARD INCH.
3. WELDED CONSTRUCTION
4. FINISH PAINT -  
2120.100-PRIMER  
2120.150-NONE  
2120.200-GALVANIZED
5. MOUNTING -  
POST-FLAT  
GATE-ROUND




**Guardian**  
GATE HARDWARE

DESCRIPTION  
**GUARDIAN STD. HINGE  
MOD.2120.100-200**

DATE 12/28/06	SCALE 1=1
DRAWN BY GGH	SHEET 1 OF 1
PART NUMBER <b>GH-SPEC-2120</b>	REVISION -

COPYRIGHT © 2007 GUARDIAN GATE HARDWARE

4261 S. COUNTRY CLUB RD., TUCSON, AZ 85714-2009 1.520.881.3380 FAX 1.520.320.1820  
E-mail: sales@guardiangatehardware.com http://www.guardiangatehardware.com