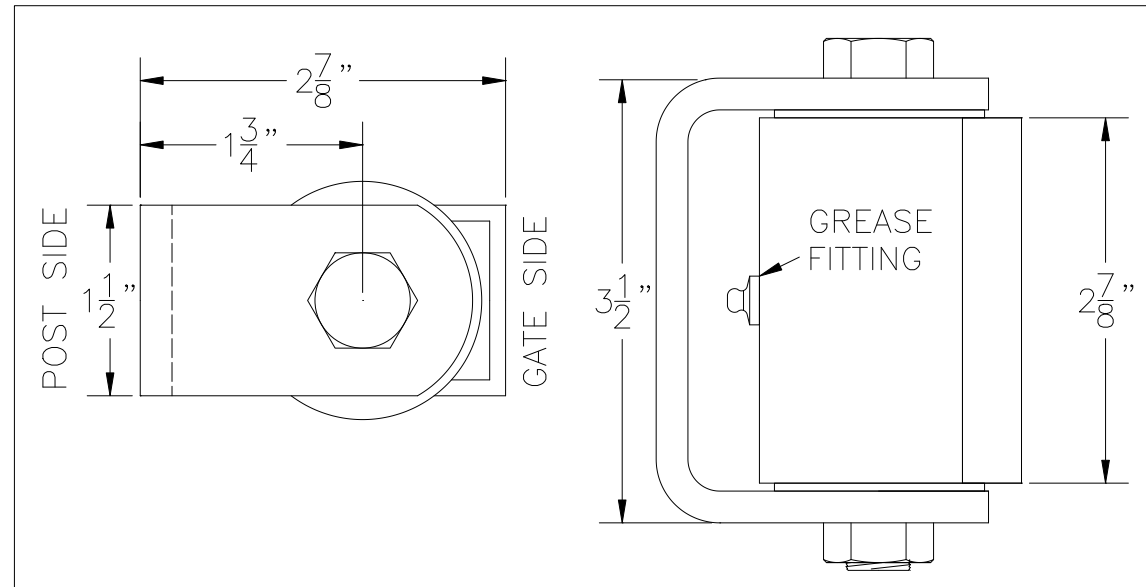


NOTES:

1. MATERIAL - ALUMINUM
2. ALL DIMENSIONS ARE STANDARD INCH.
3. WELDED CONSTRUCTION
4. FINISH PAINT - 2165.100-NONE
5. MOUNTING - POST-FLAT GATE-FLAT




**Guardian**  
GATE HARDWARE

DESCRIPTION  
**GUARDIAN STD. HINGE  
MOD.2165.100**

DATE	1/2/07	SCALE	1=1	
DRAWN BY	GGH	SHEET	1 OF 1	
PART NUMBER	GH-SPEC-2165		REVISION	-

COPYRIGHT © 2007 GUARDIAN GATE HARDWARE

4261 S. COUNTRY CLUB RD., TUCSON, AZ 85714-2009 1.520.881.3380 FAX 1.520.320.1820  
E-mail: sales@guardiangatehardware.com http://www.guardiangatehardware.com