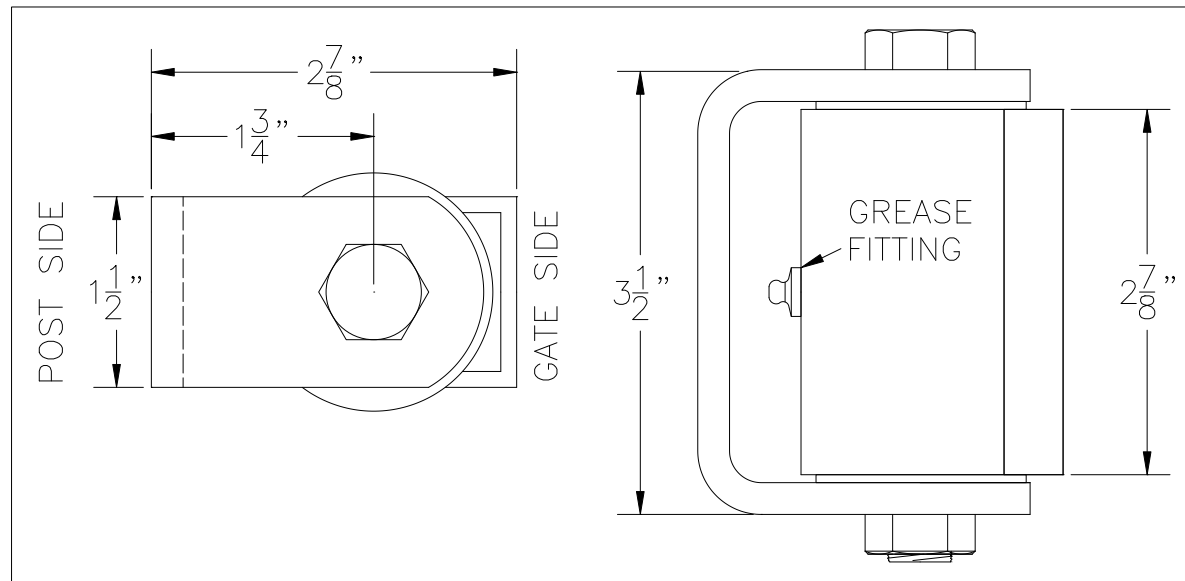


NOTES:

1. MATERIAL—
POST SIDE—CARBON STEEL
GATE SIDE—ALUMINUM
2. ALL DIMENSIONS ARE
STANDARD INCH.
3. WELDED CONSTRUCTION
4. FINISH PAINT —
2170.100—STEEL: PRIMER
ALUMINUM: NONE
5. MOUNTING —
POST—FLAT
GATE—FLAT



			
Guardian GATE HARDWARE			
<small>DESCRIPTION</small> GUARDIAN STD. HINGE MOD.2170.100			
<small>DATE</small>	1/2/07	<small>SCALE</small>	1=1
<small>DRAWN BY</small>	GGH	<small>SHEET</small>	1 OF 1
<small>PART NUMBER</small>	GH-SPEC-2170		<small>REVISION</small>
			-

COPYRIGHT © 2007 GUARDIAN GATE HARDWARE

4261 S. COUNTRY CLUB RD., TUCSON, AZ 85714-2009 1.520.881.3380 FAX 1.520.320.1820
 E-mail: sales@guardiangatehardware.com http://www.guardiangatehardware.com